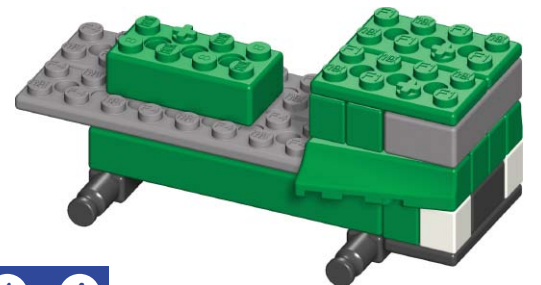
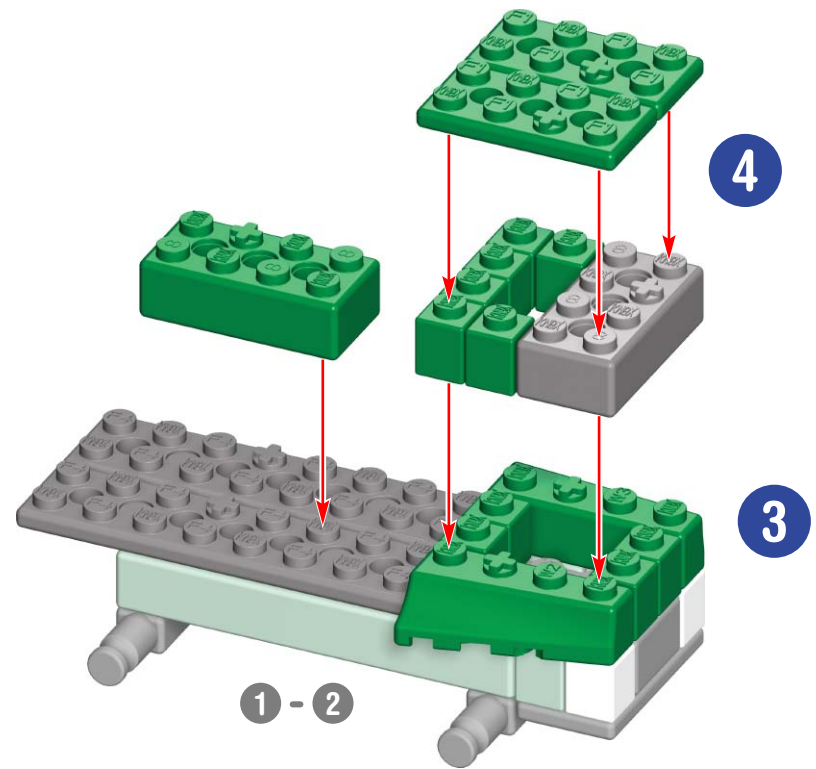
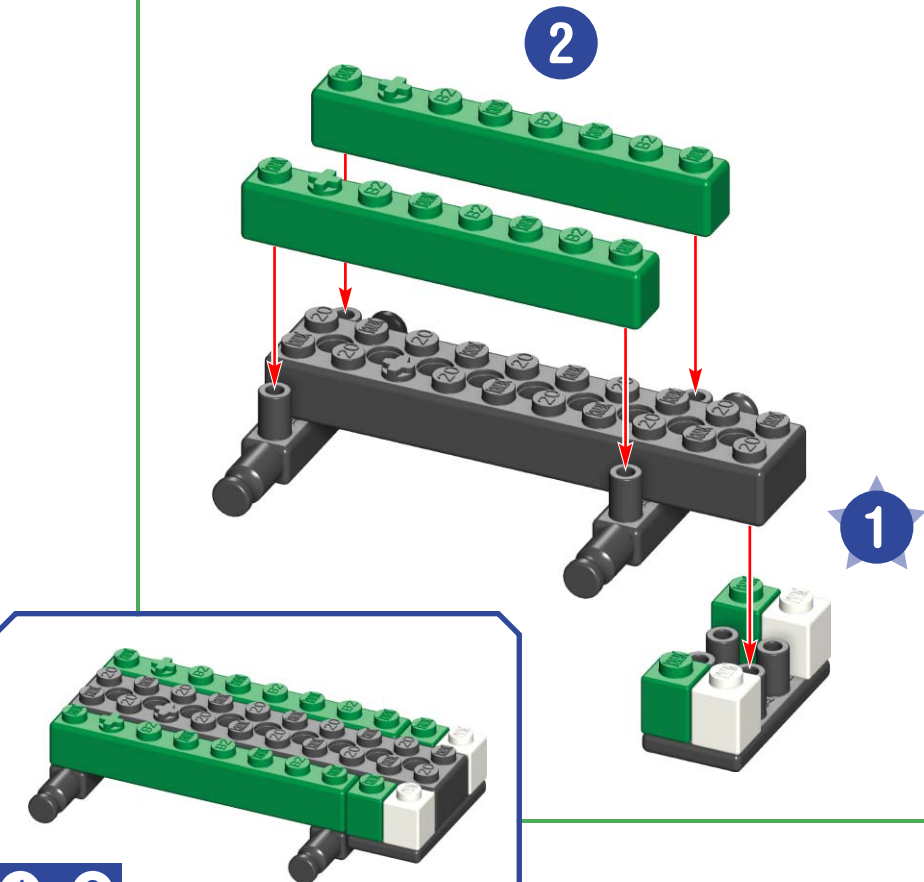
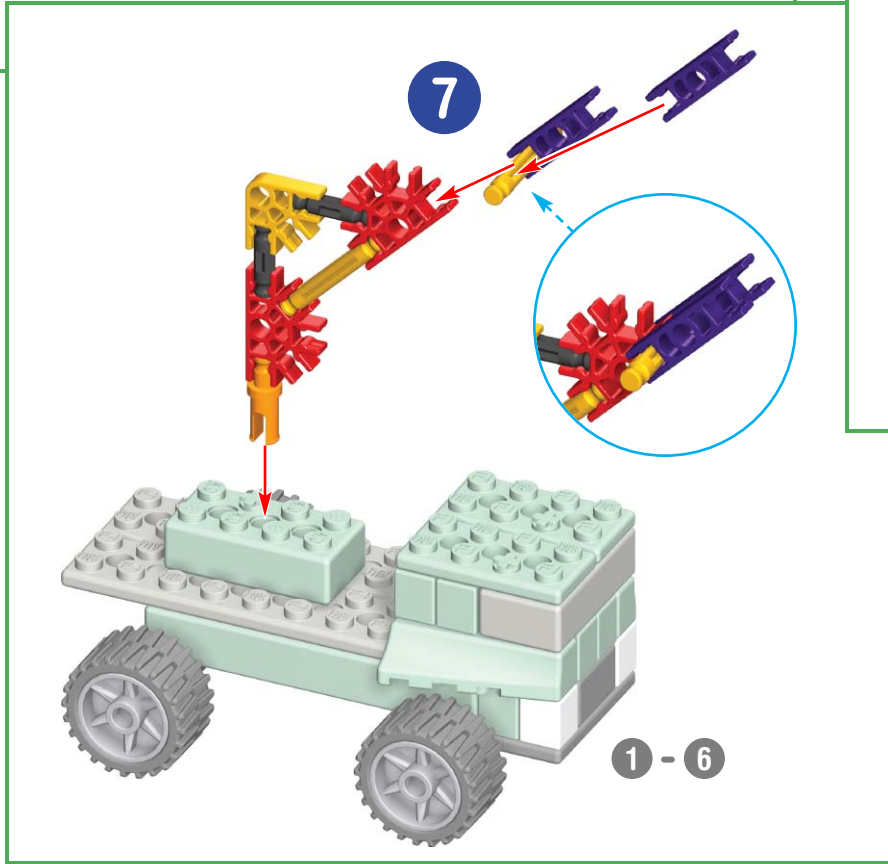
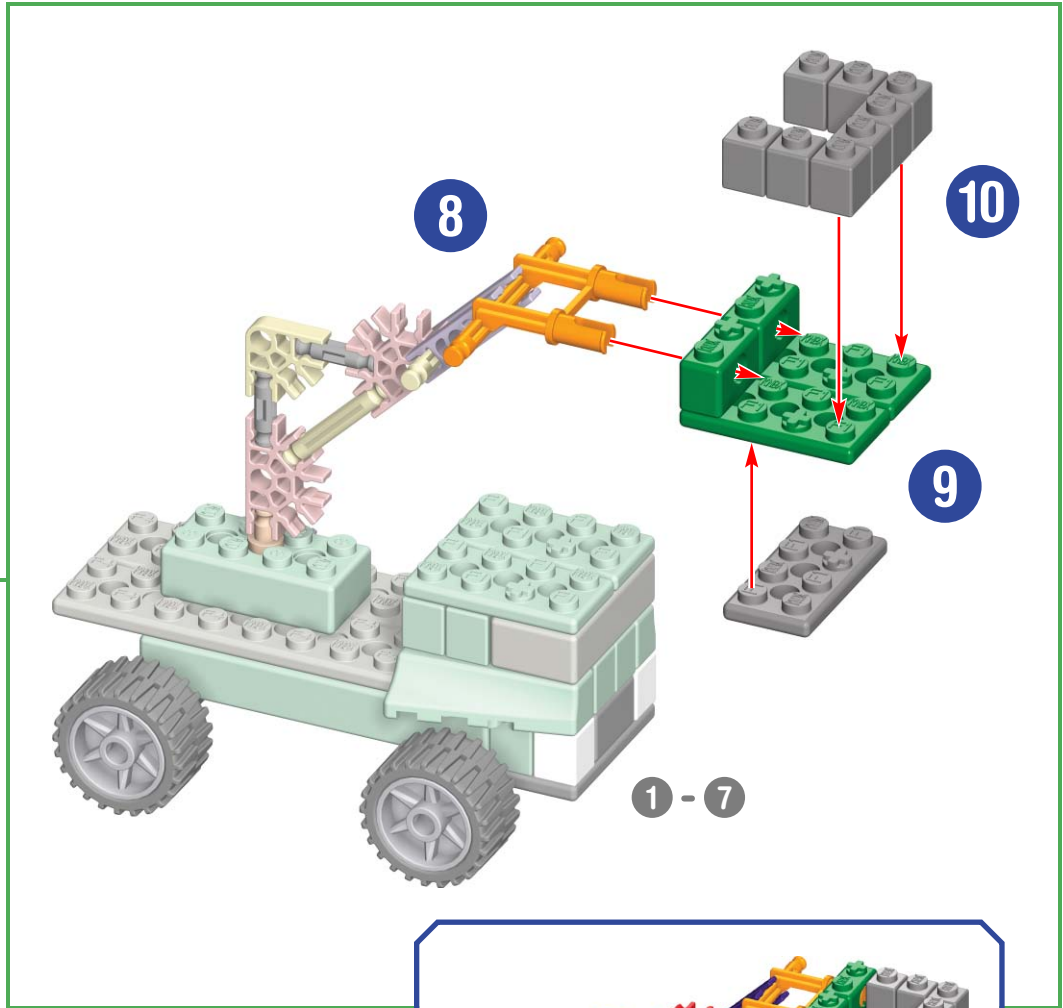
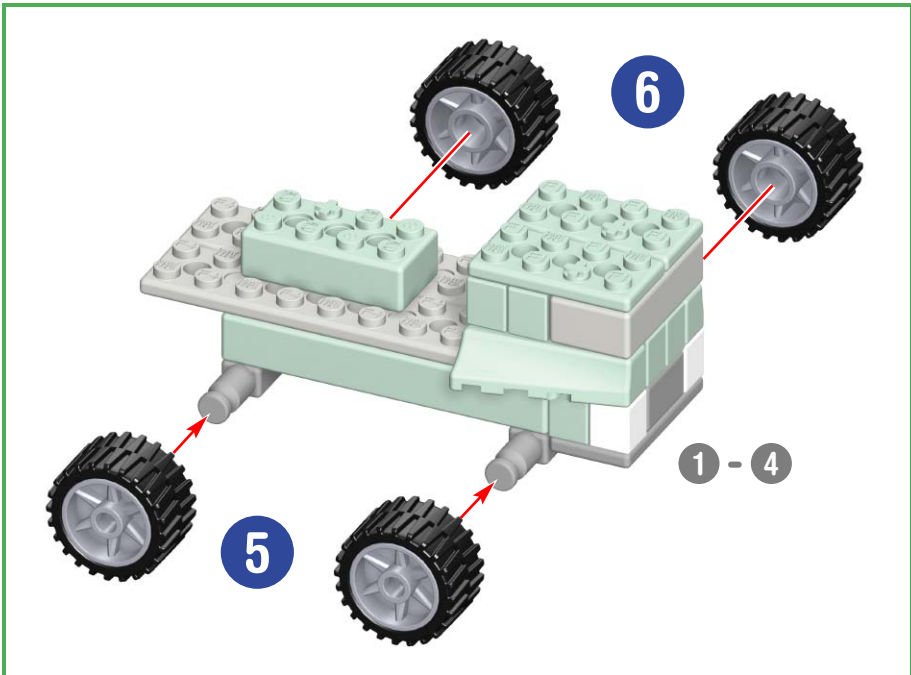
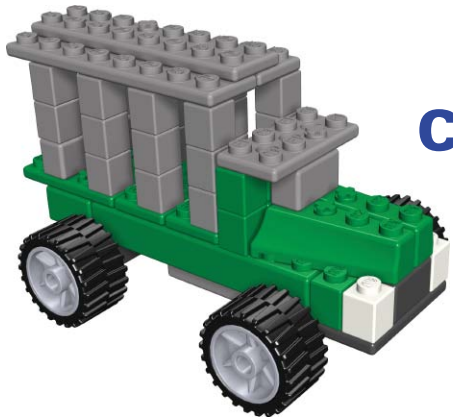


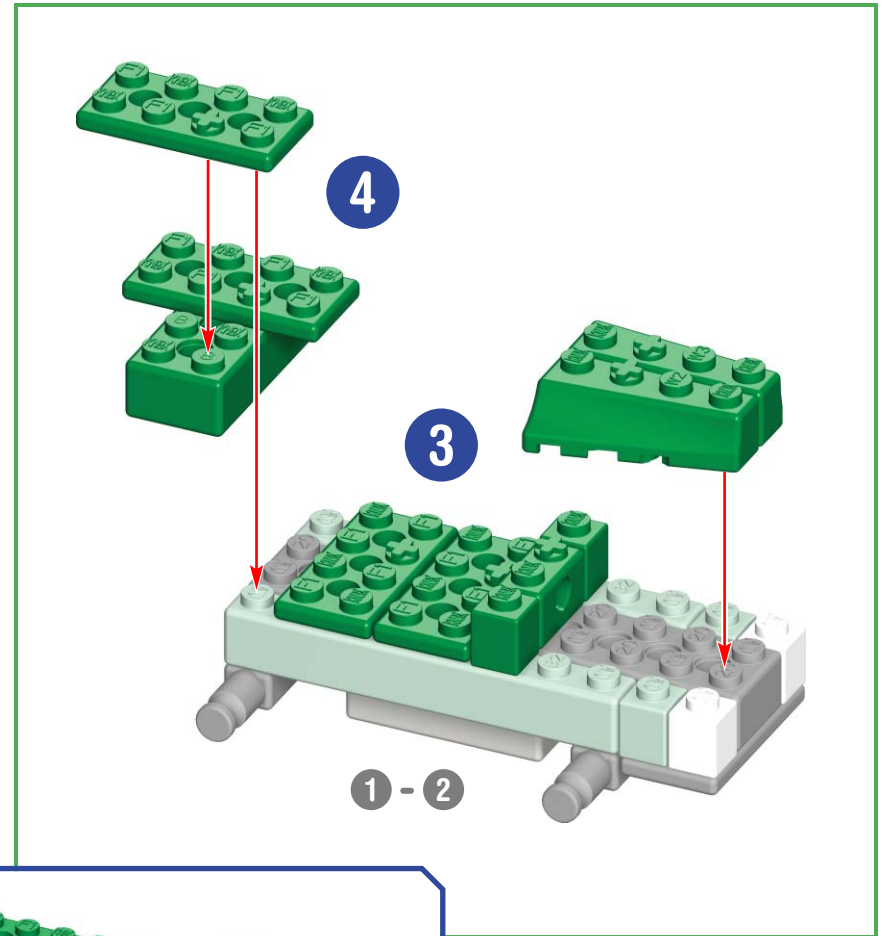
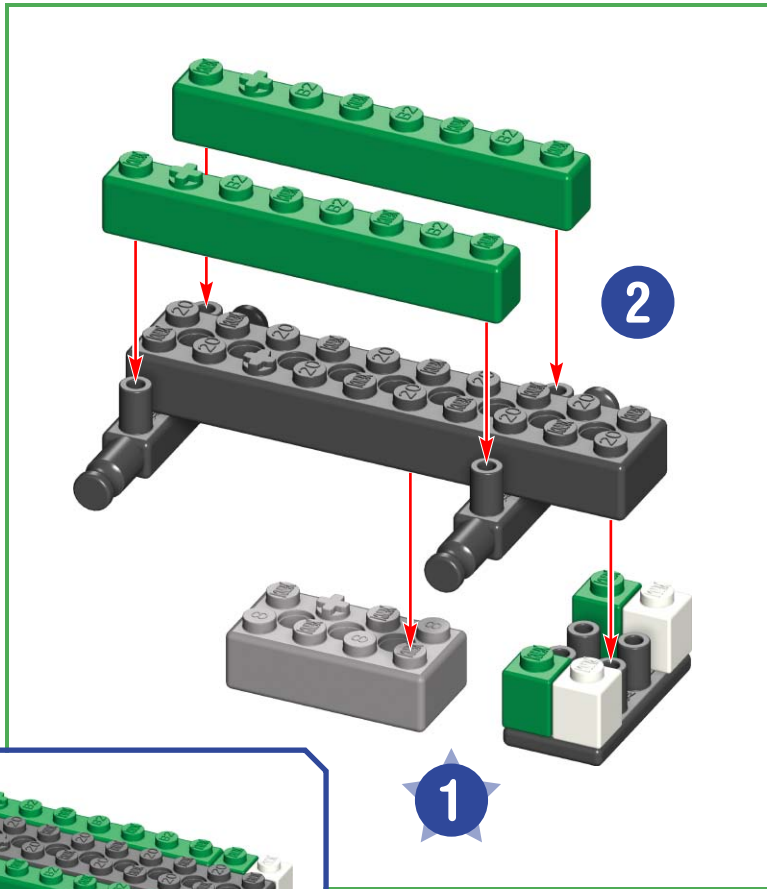
# BOOM LIFT





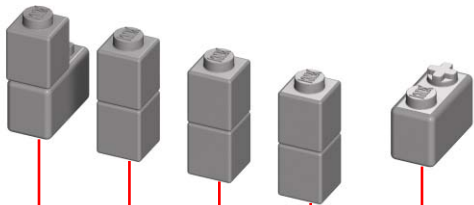


# CAGE TRUCK

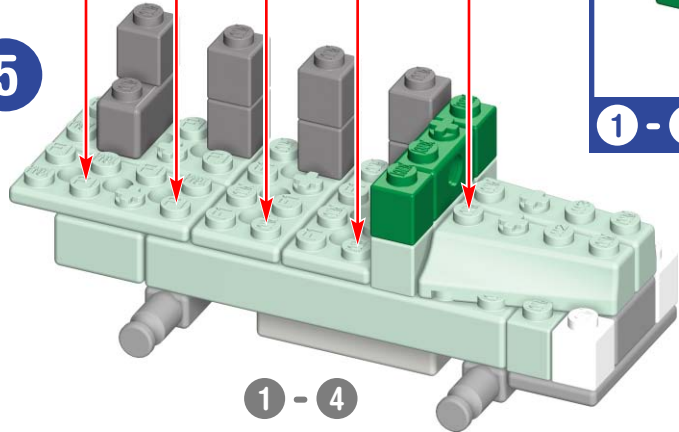




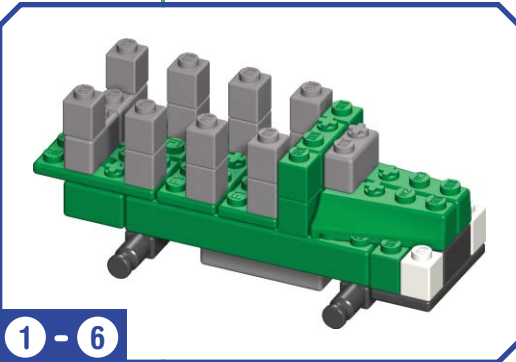
6



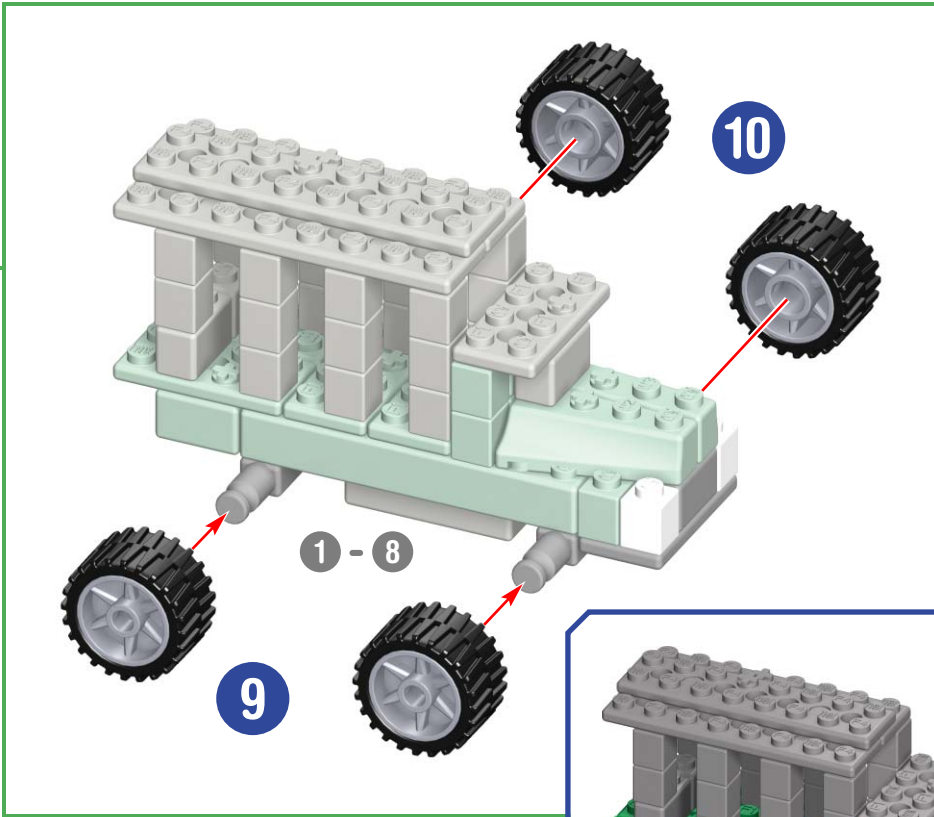
5



1 - 6



10



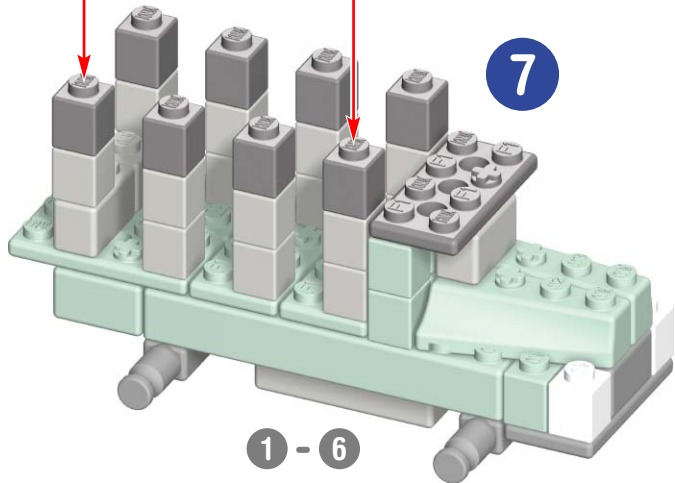
9

1 - 8



8

7

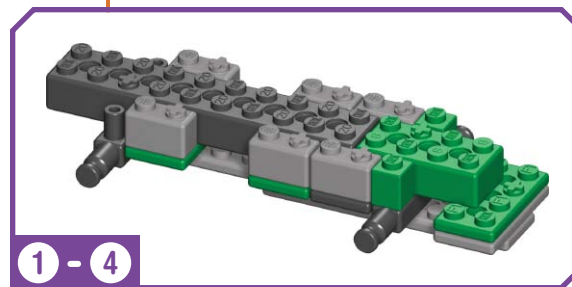
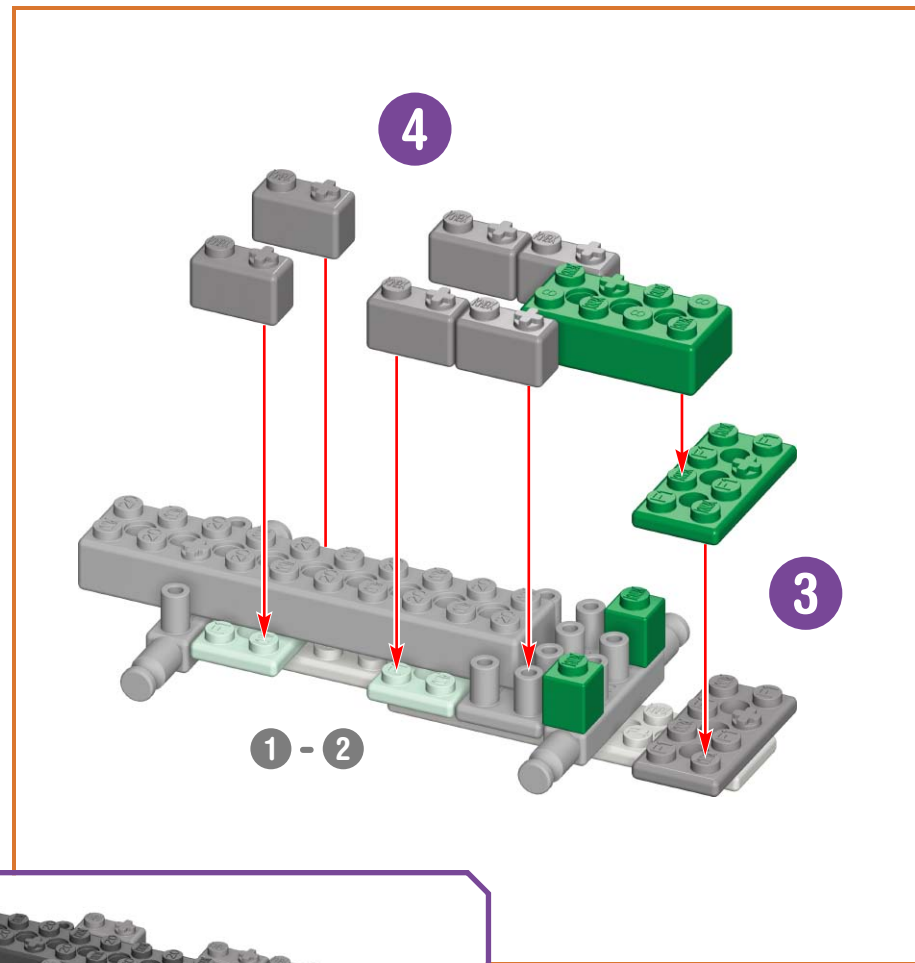
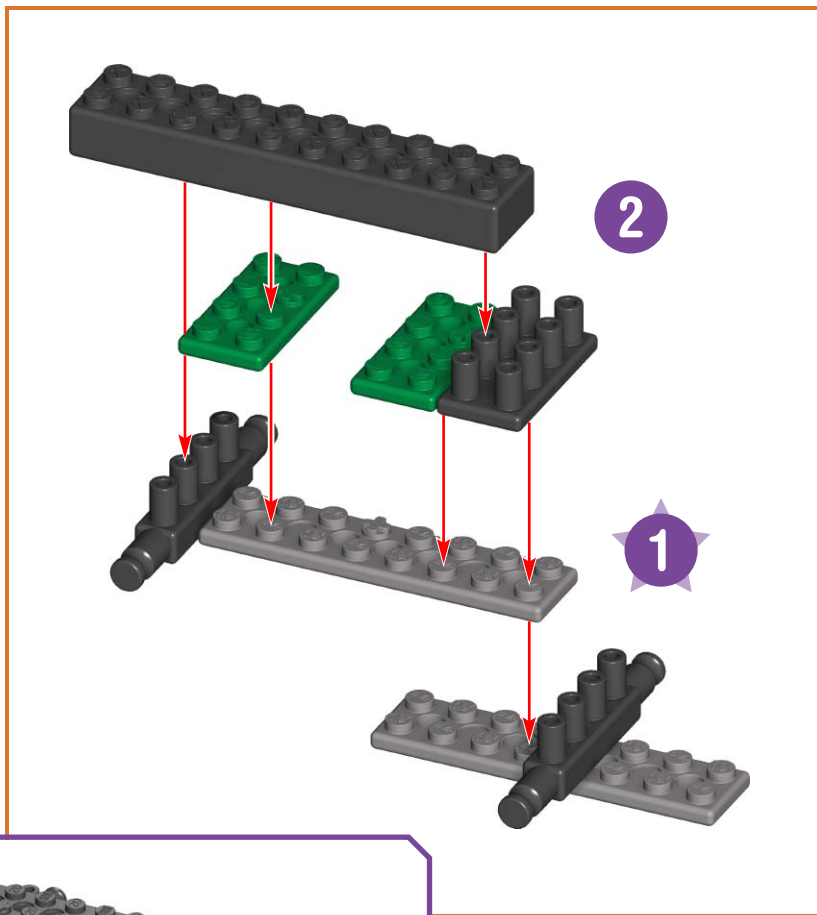
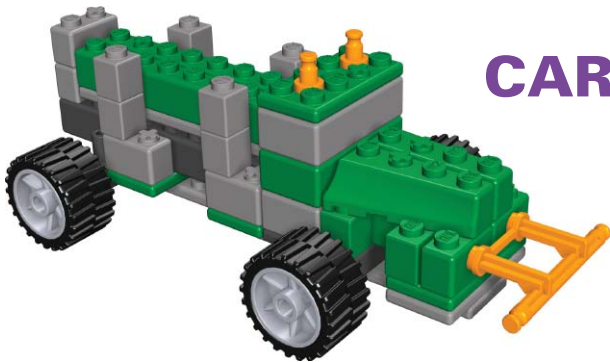


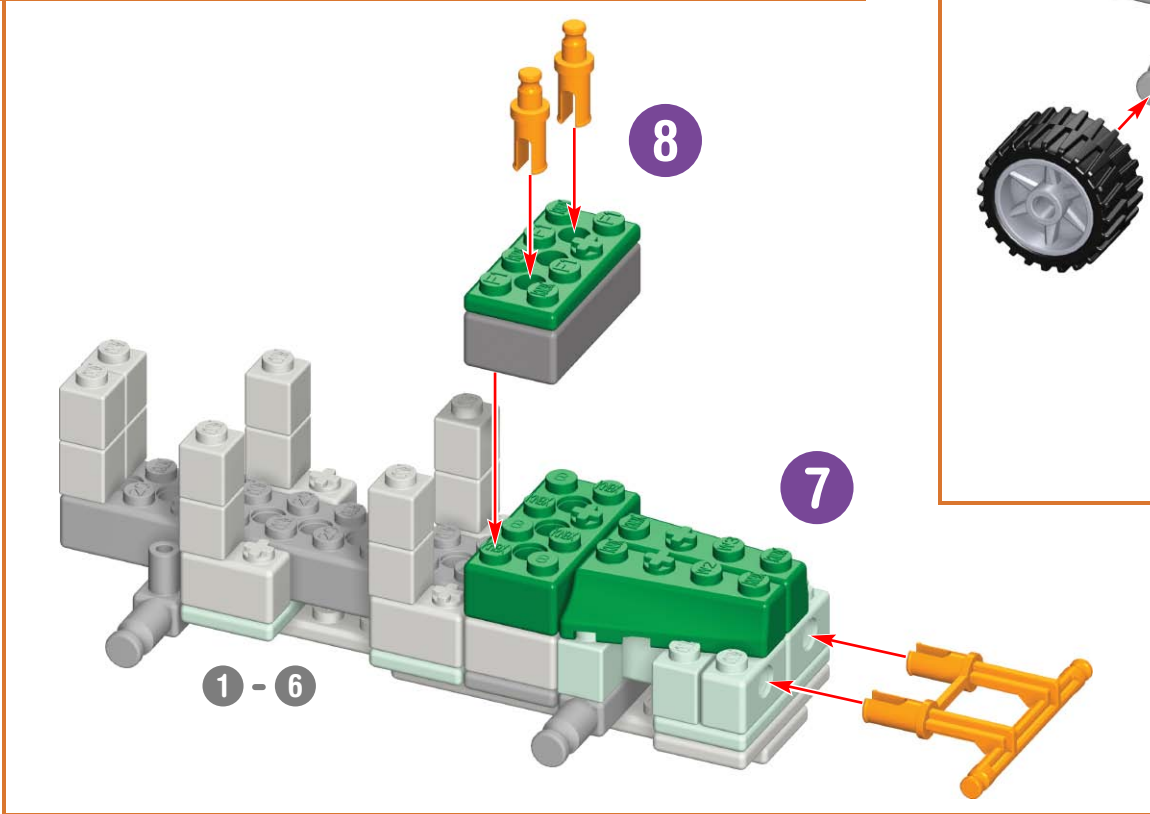
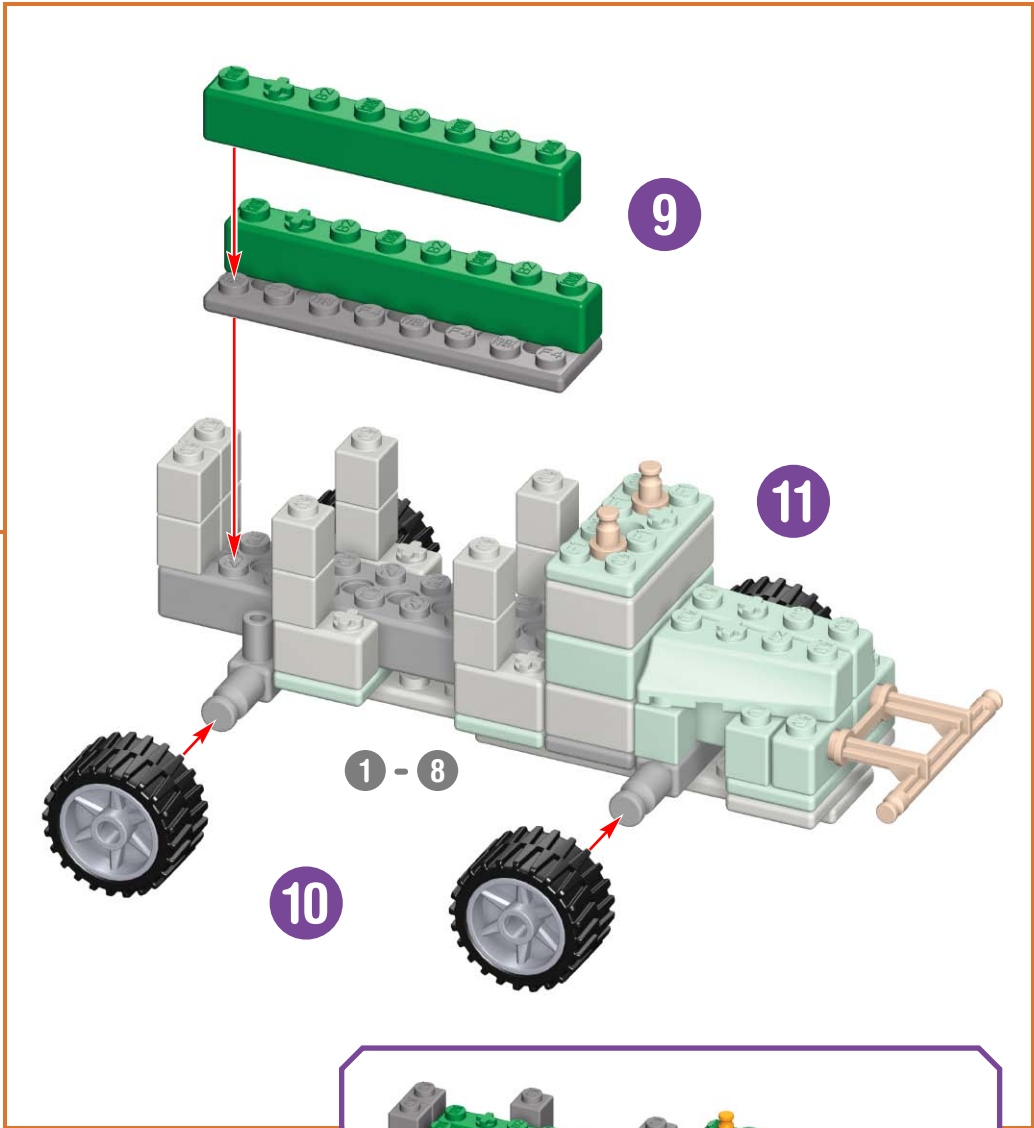
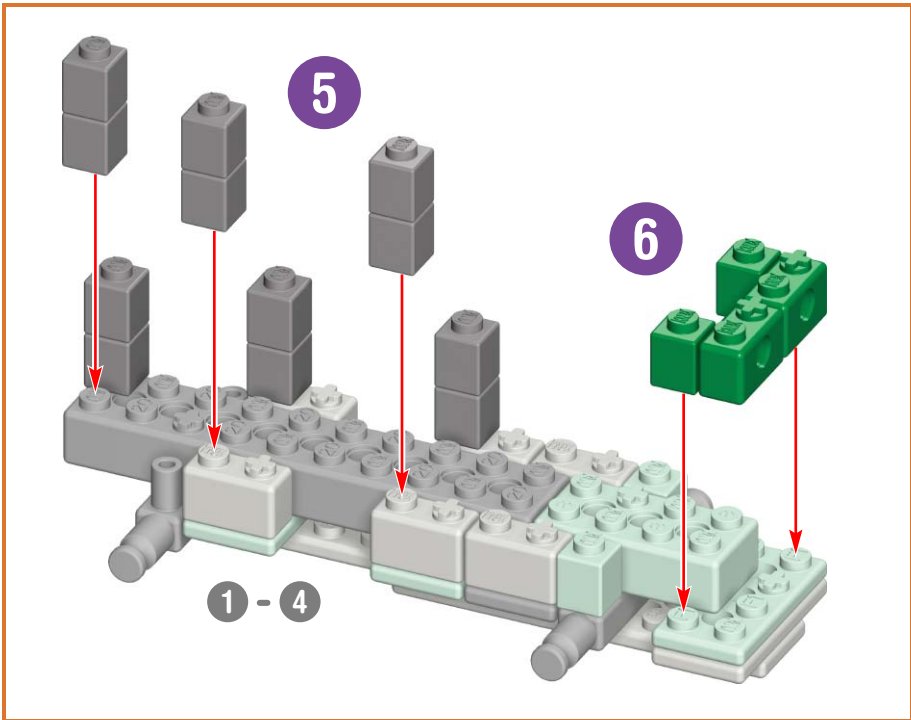
1 - 6

1 - 10

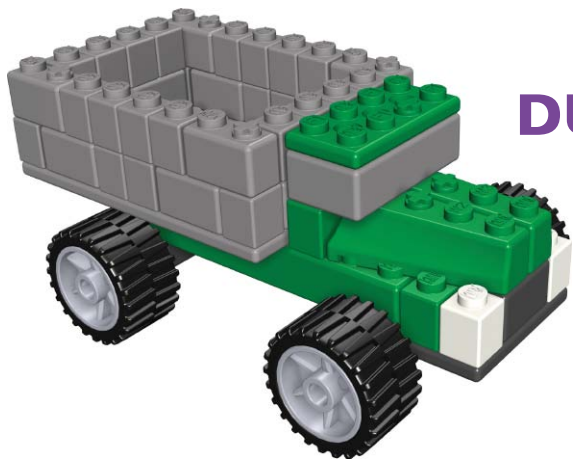


# CARGO HAULER

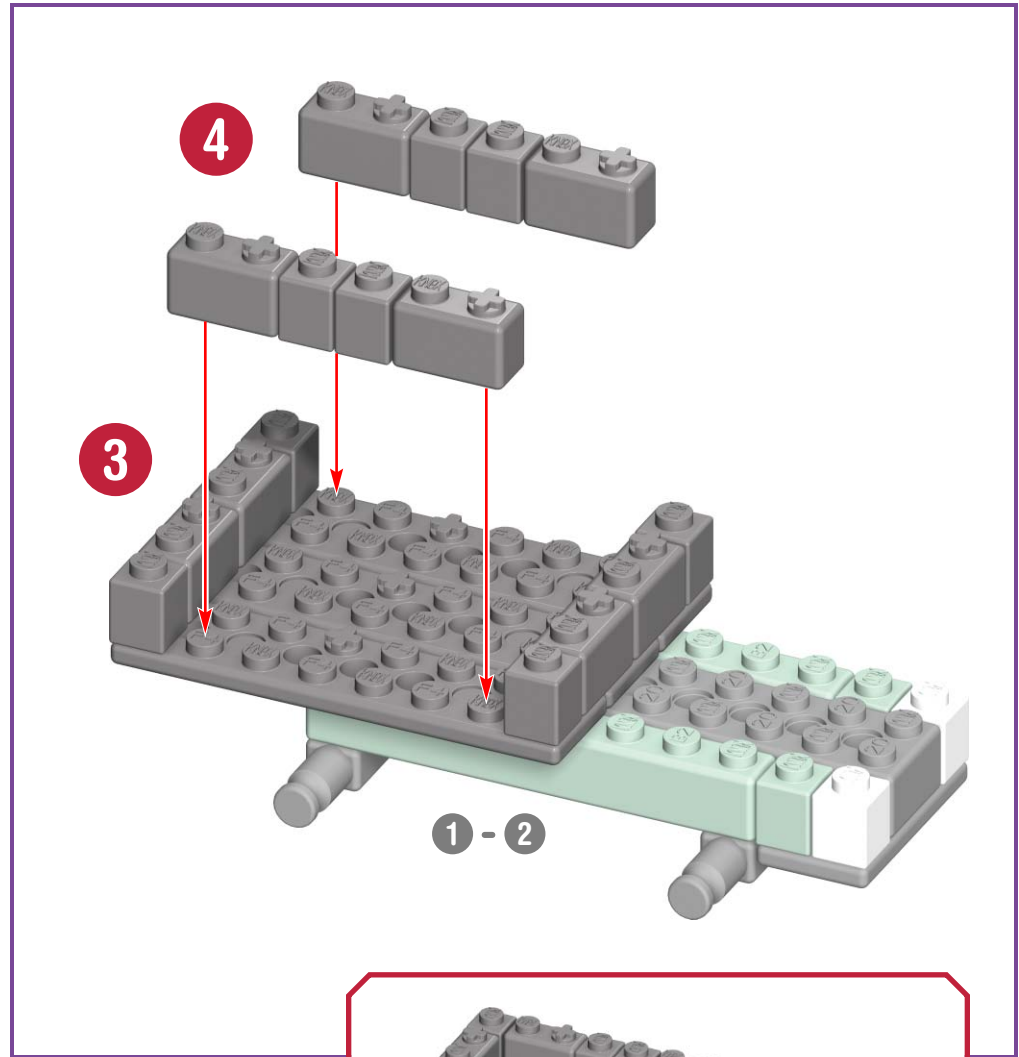
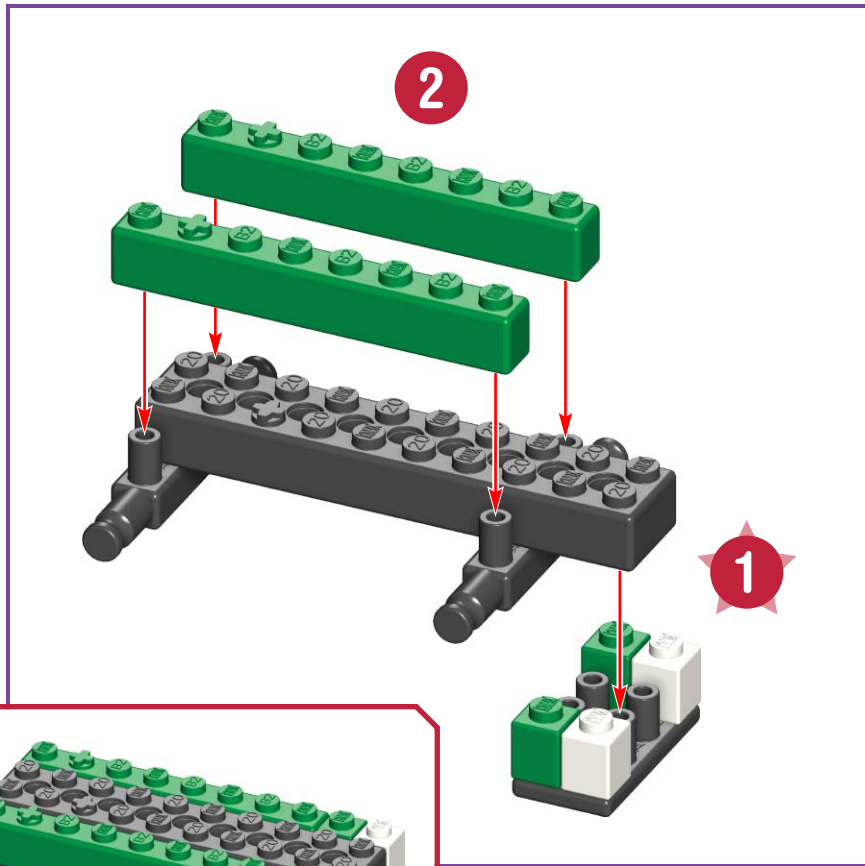


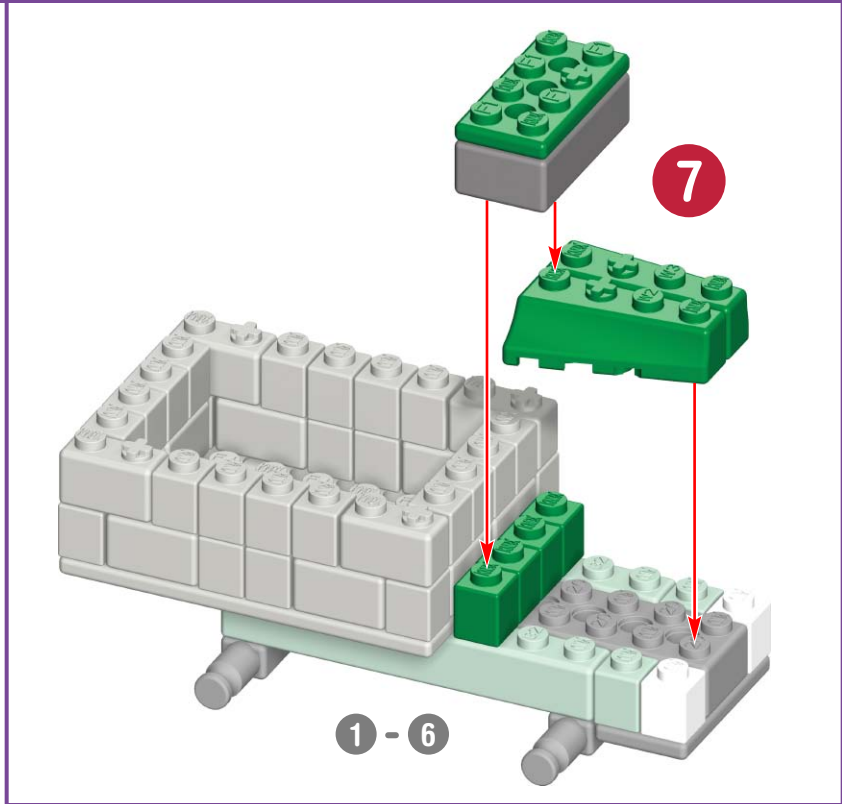
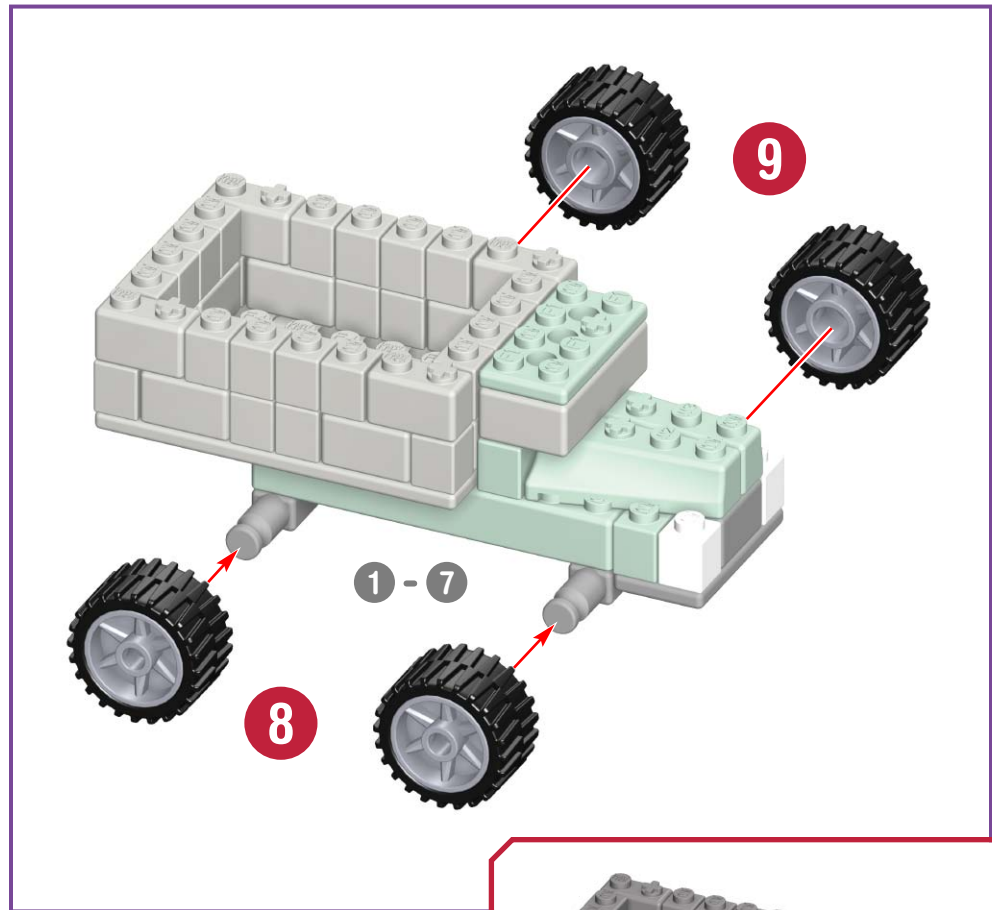
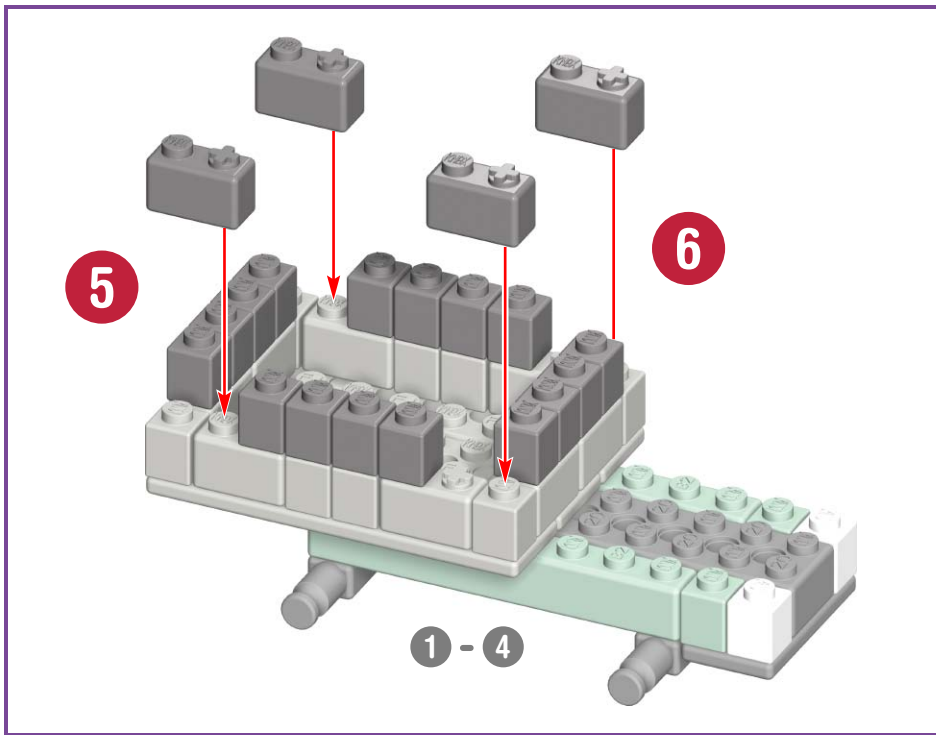






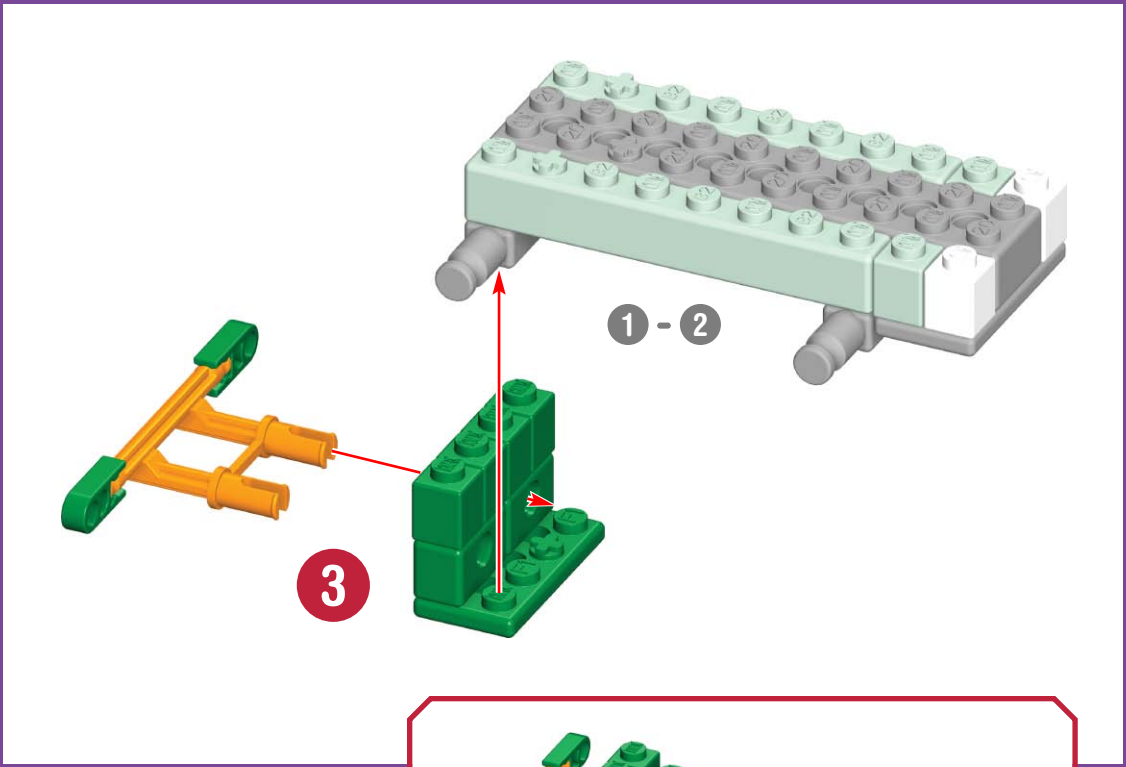
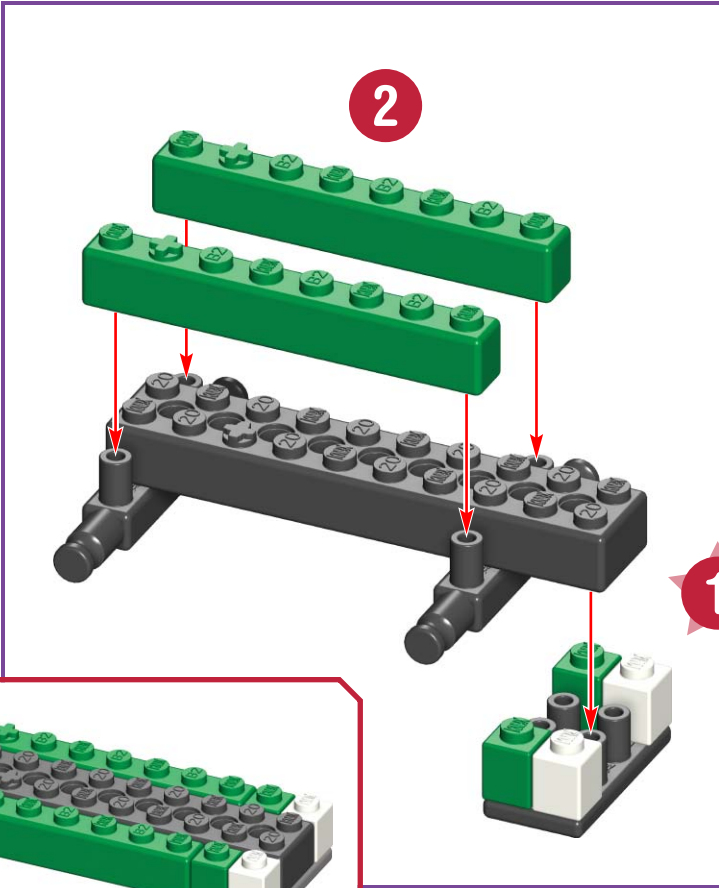
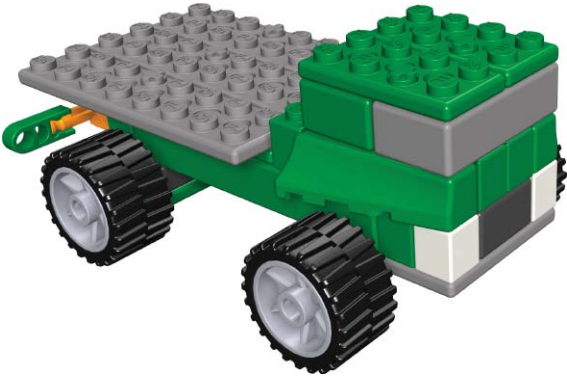
# DUMP TRUCK

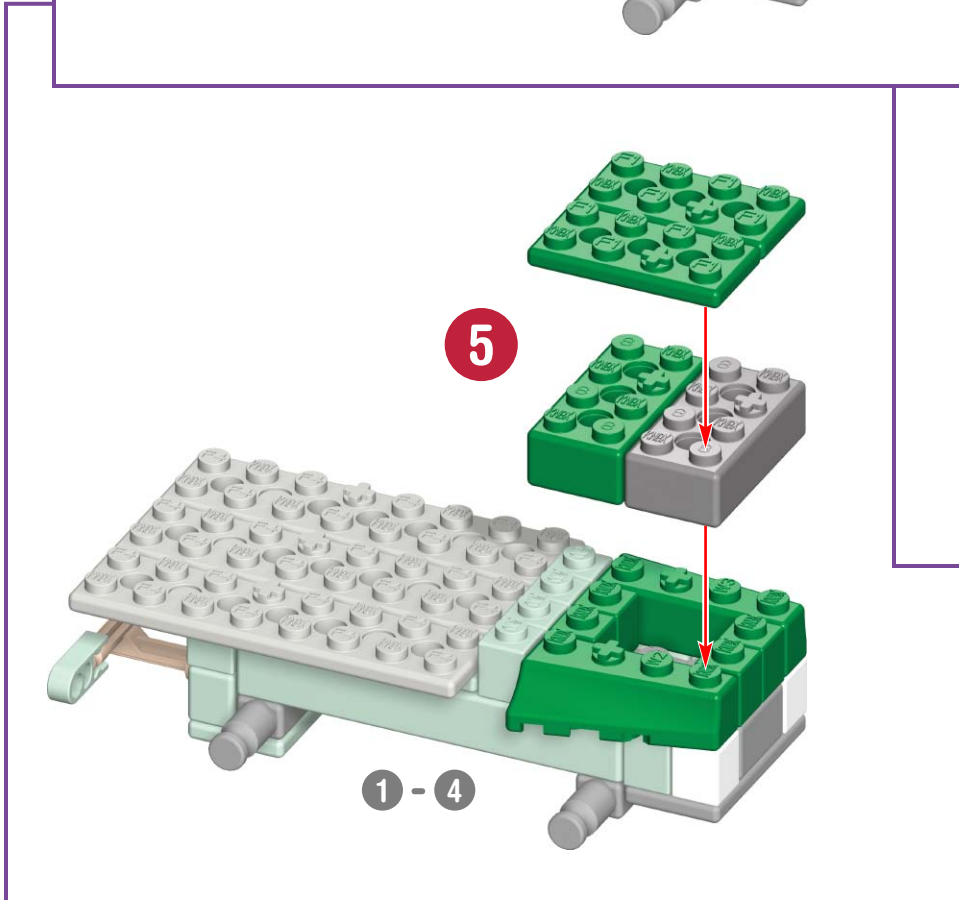
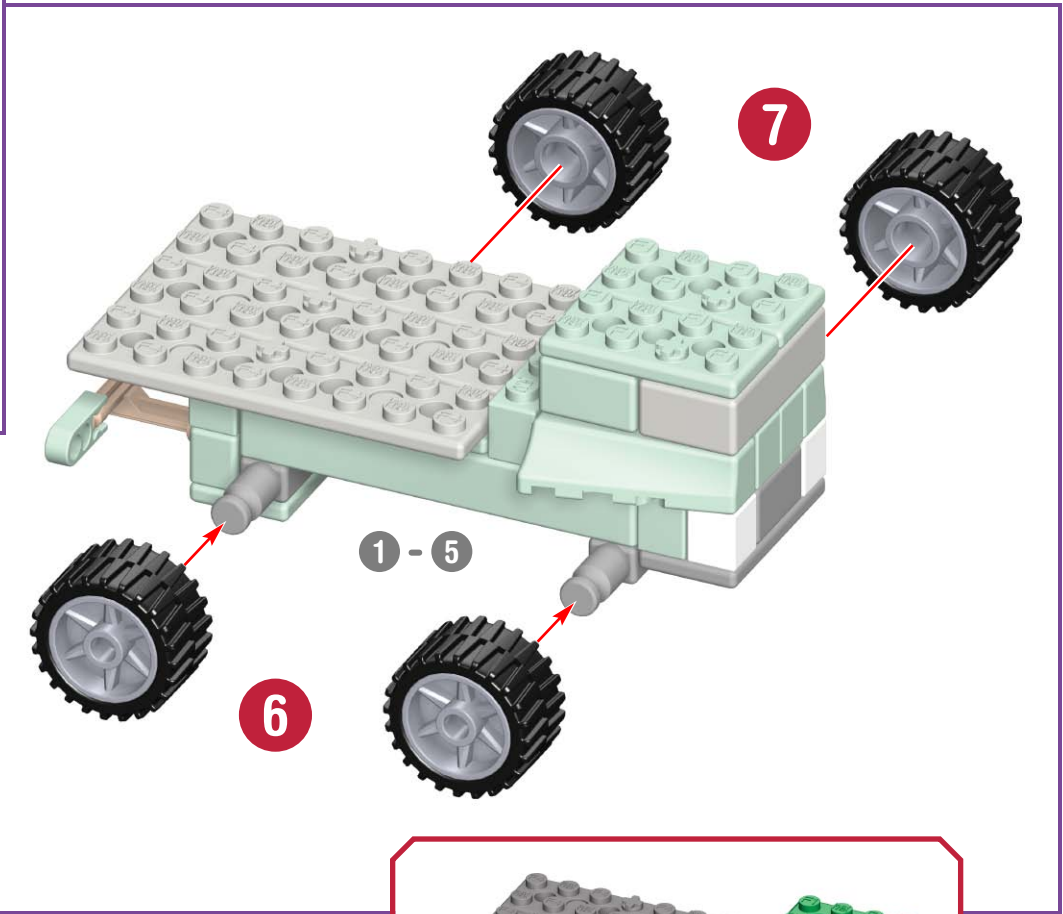
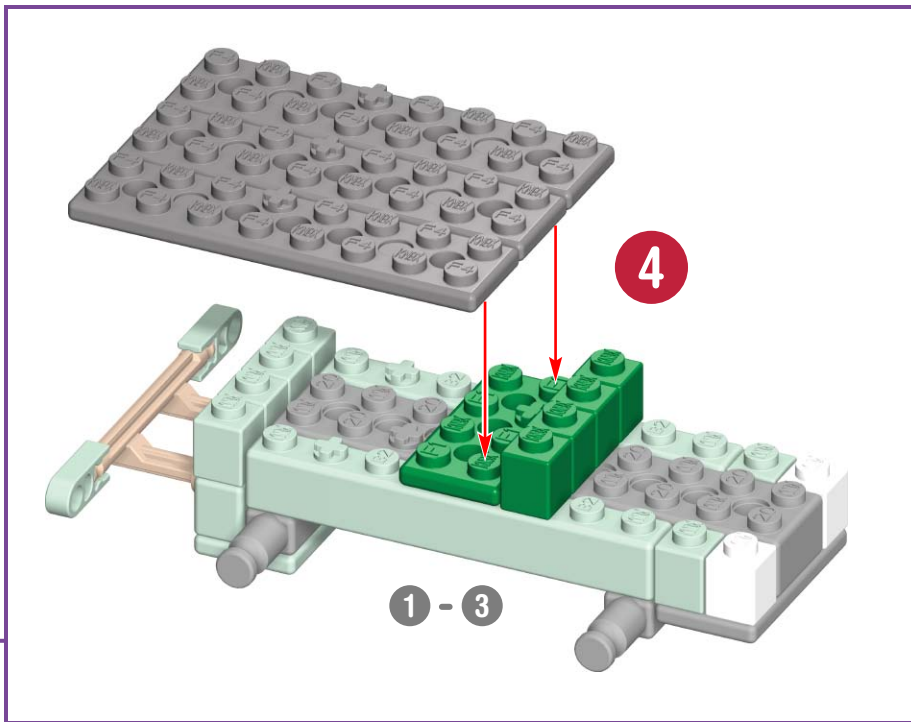




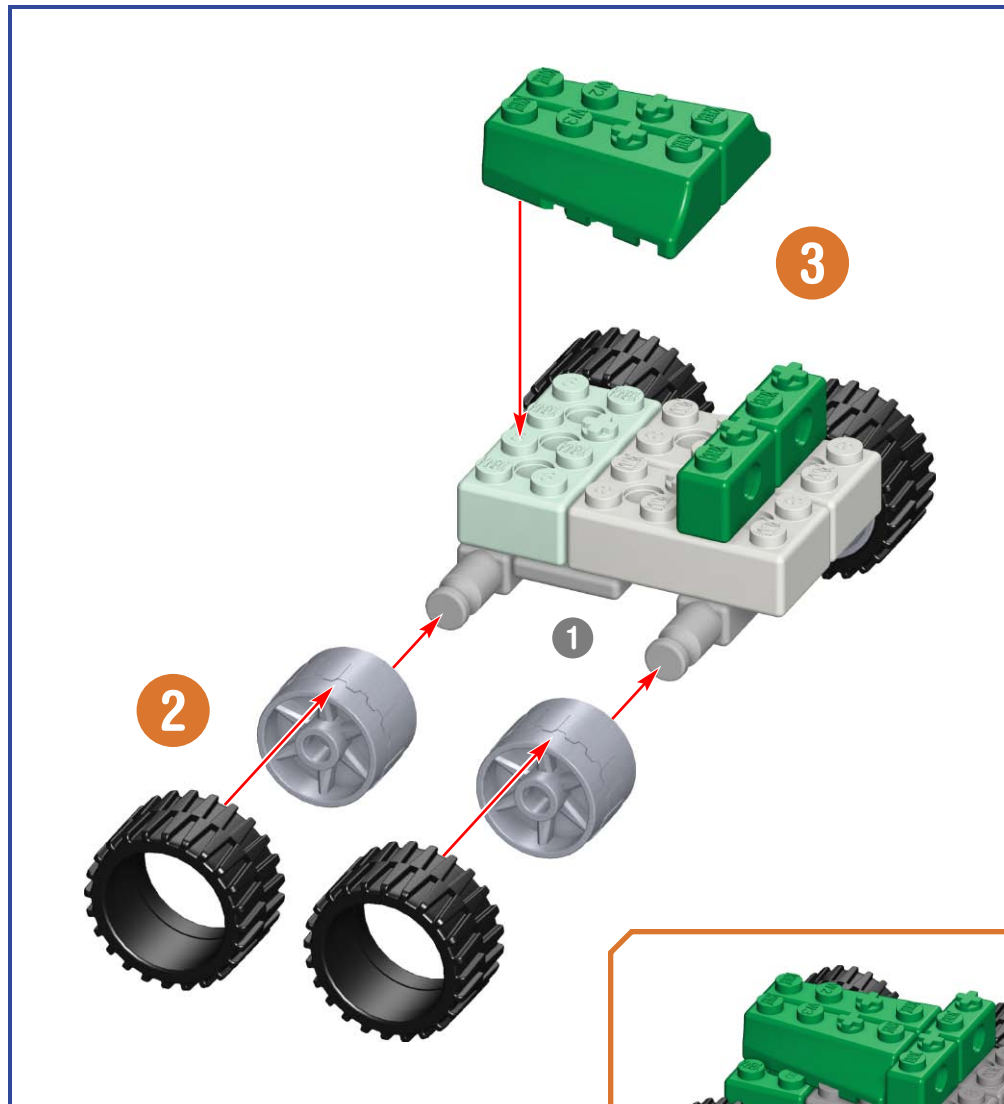
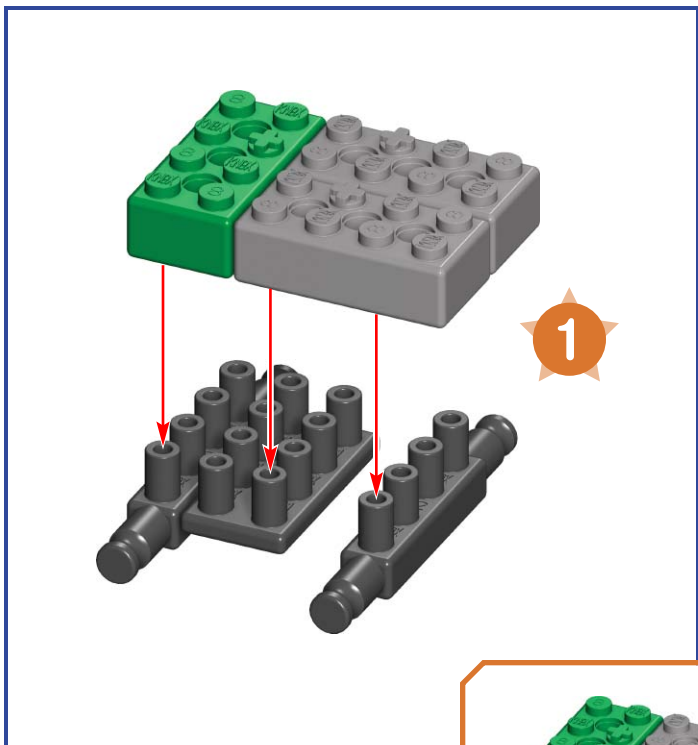
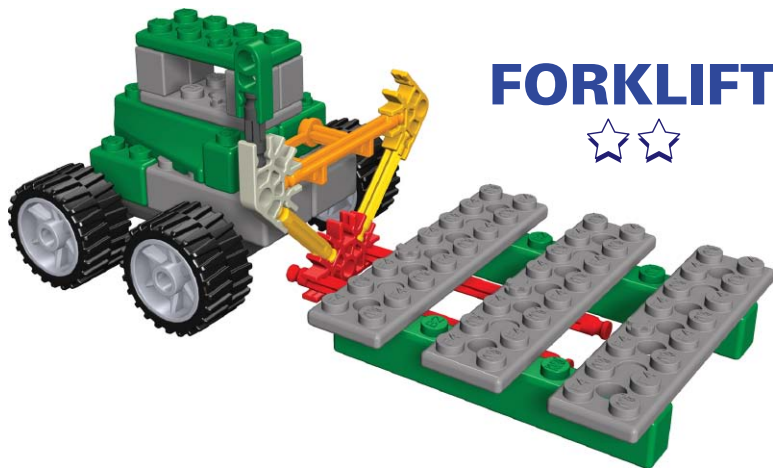


# FLATBED TRUCK

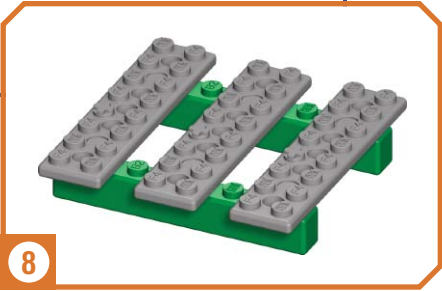
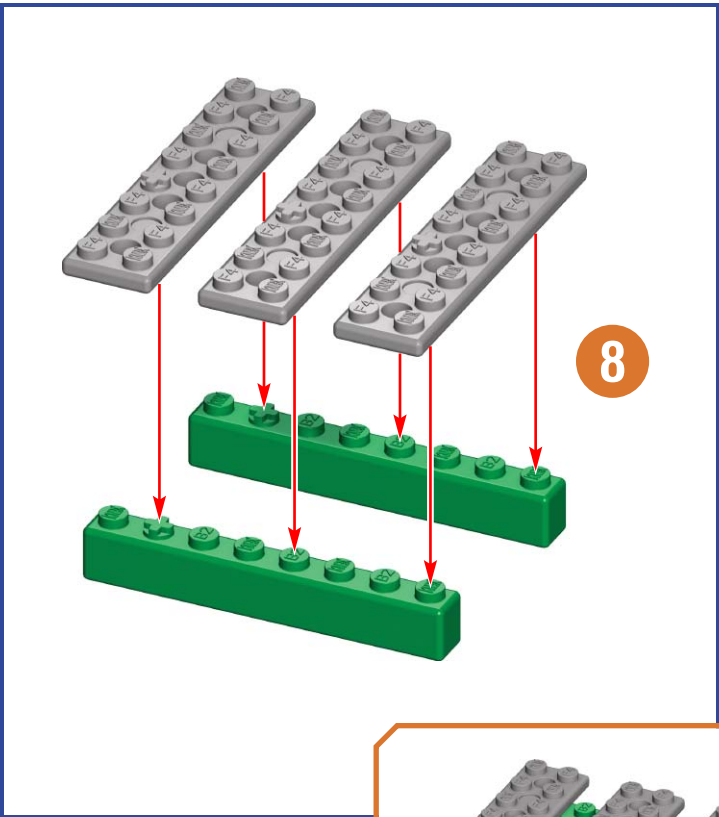
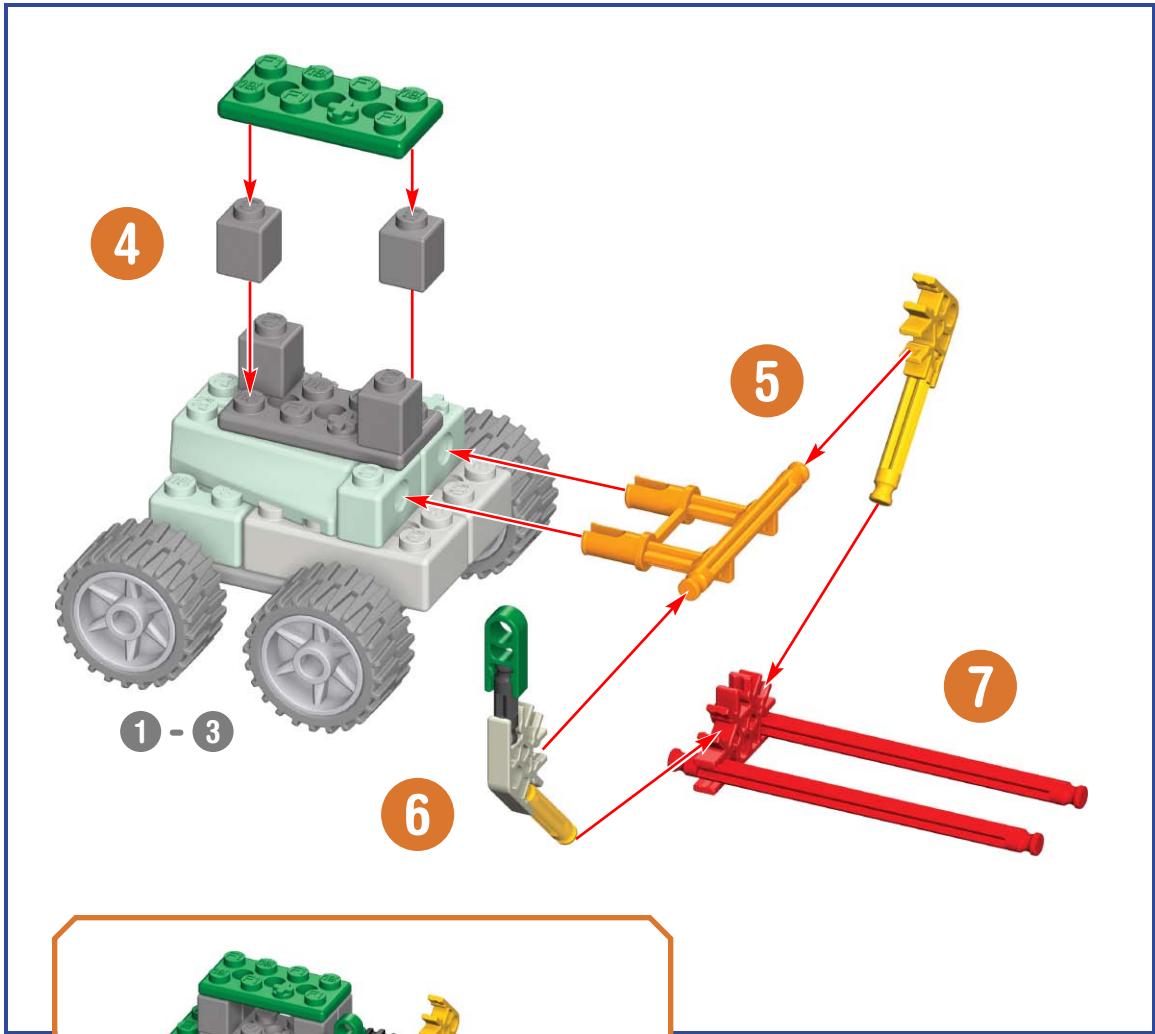




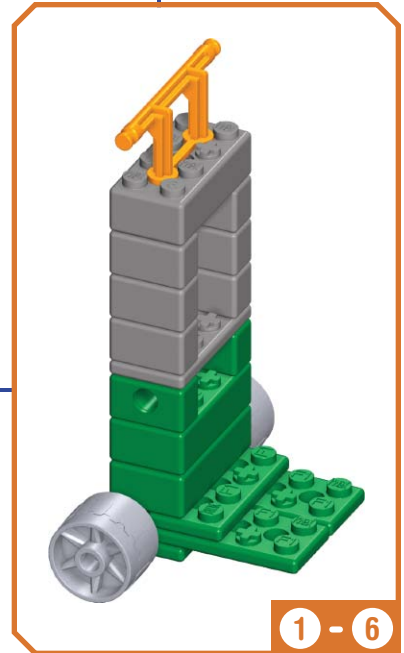
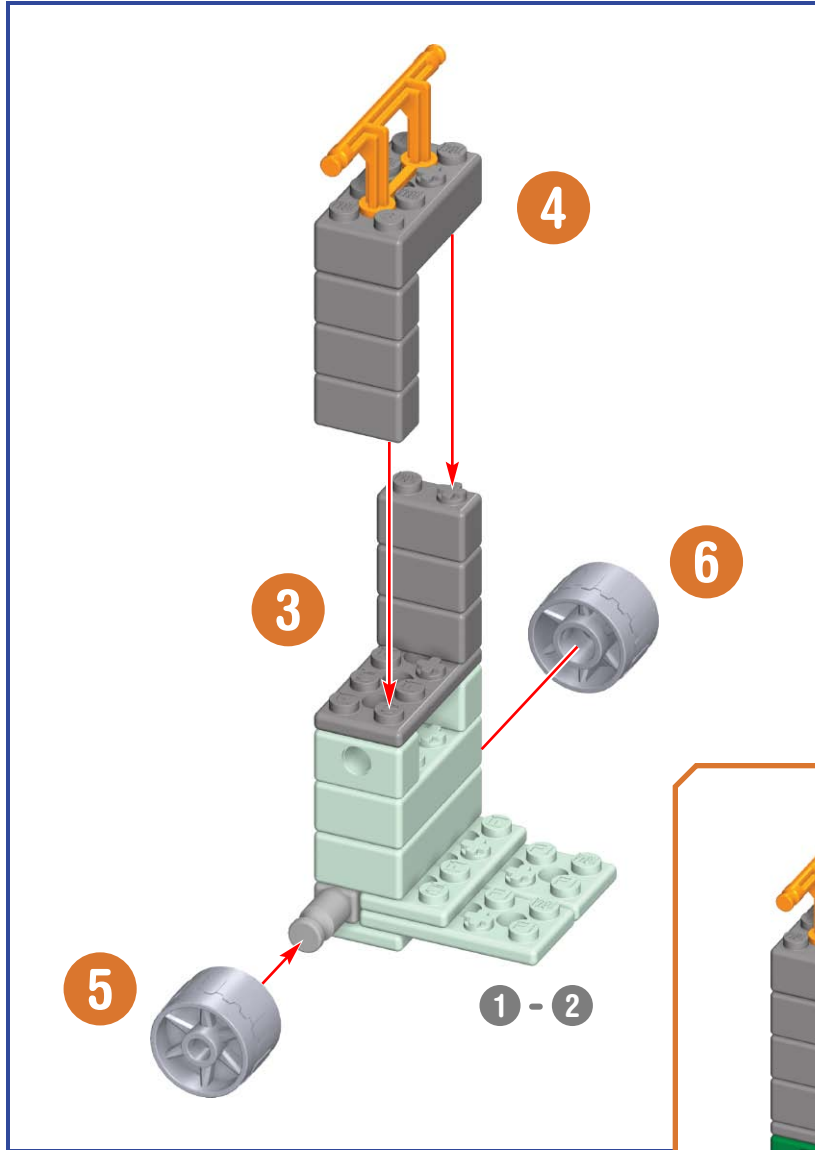
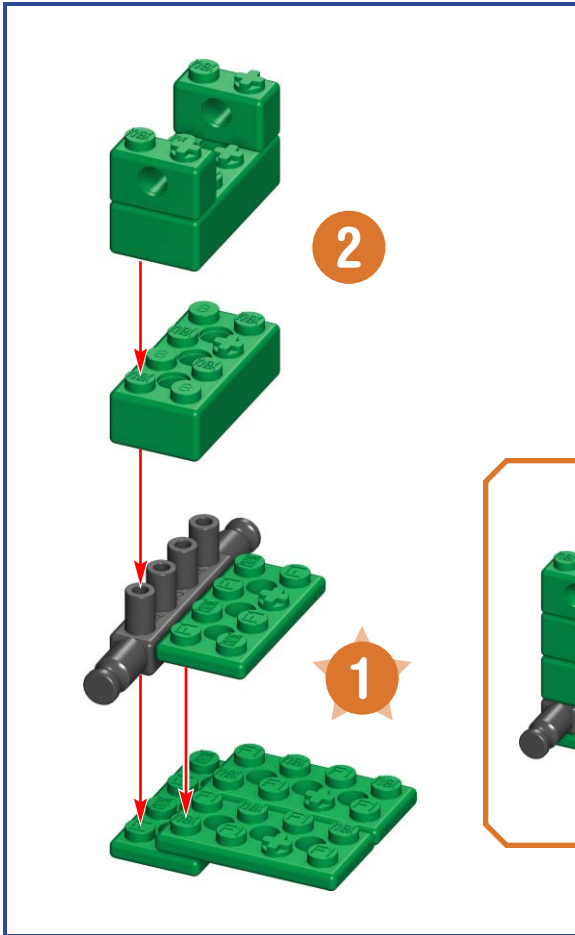
# FORKLIFT

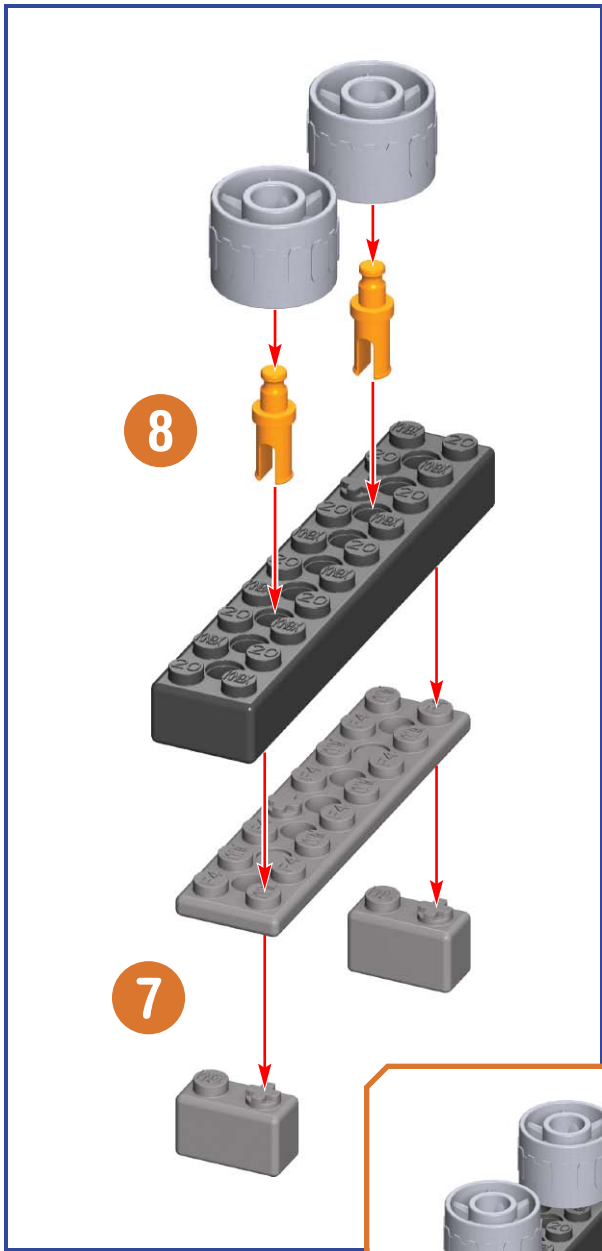






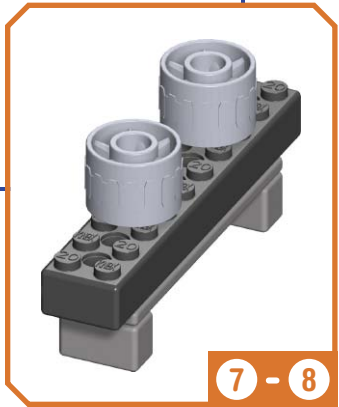
# HAND TRUCK



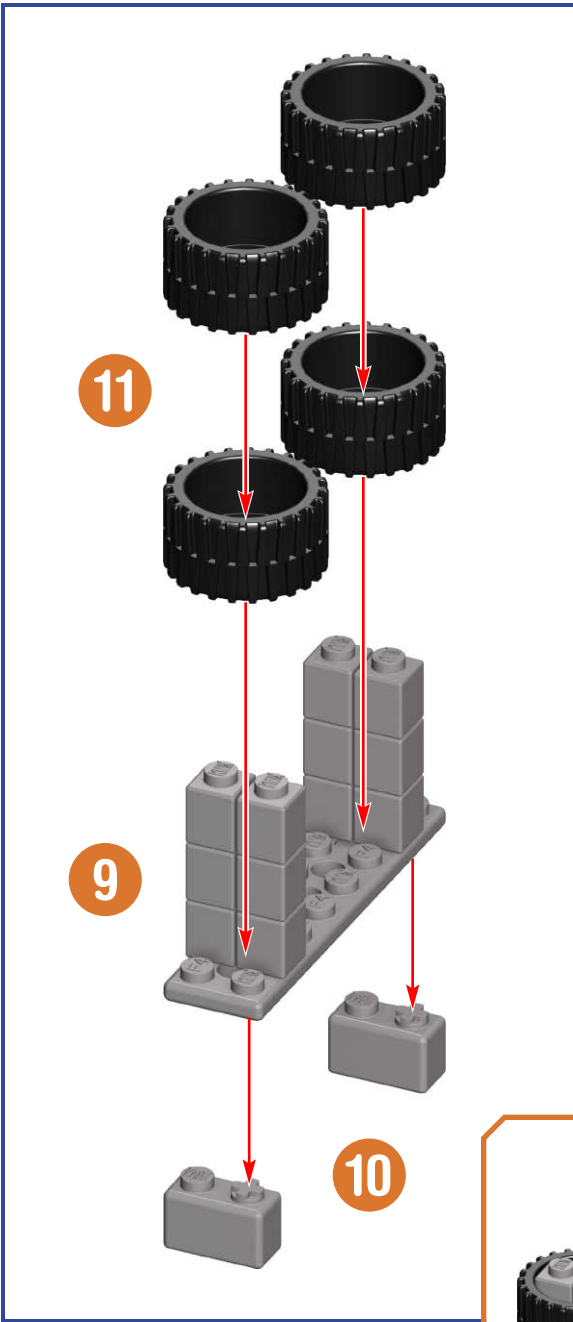


8

7



7 - 8



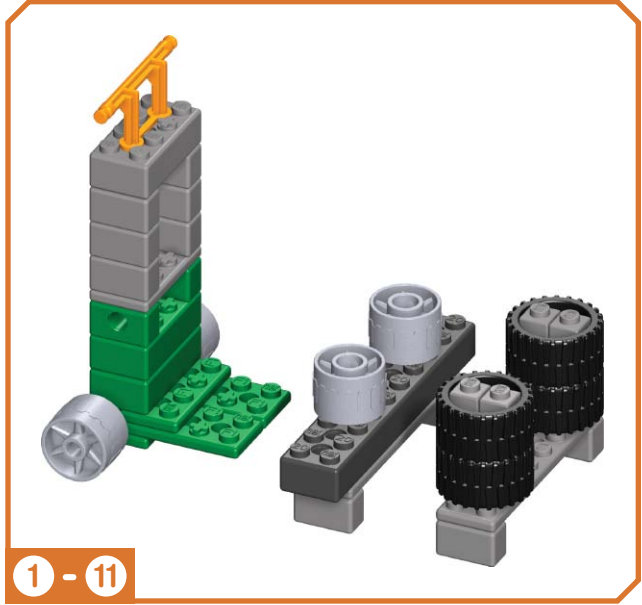
11

9

10

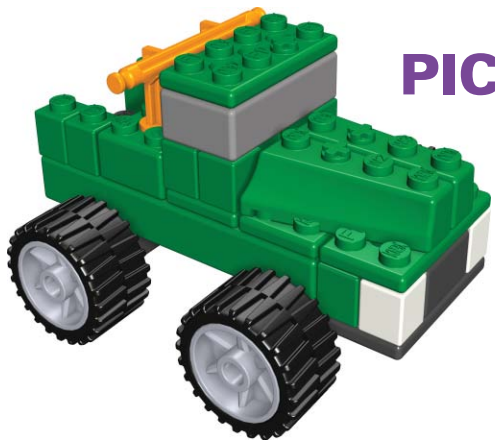


9 - 11

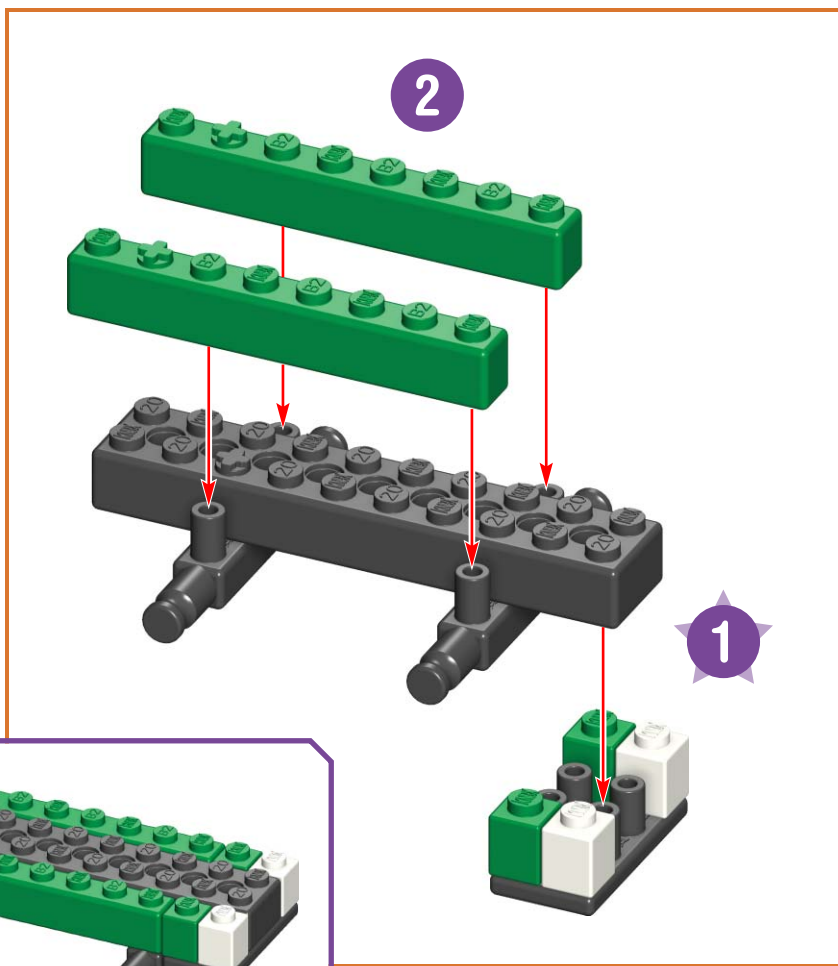


1 - 11

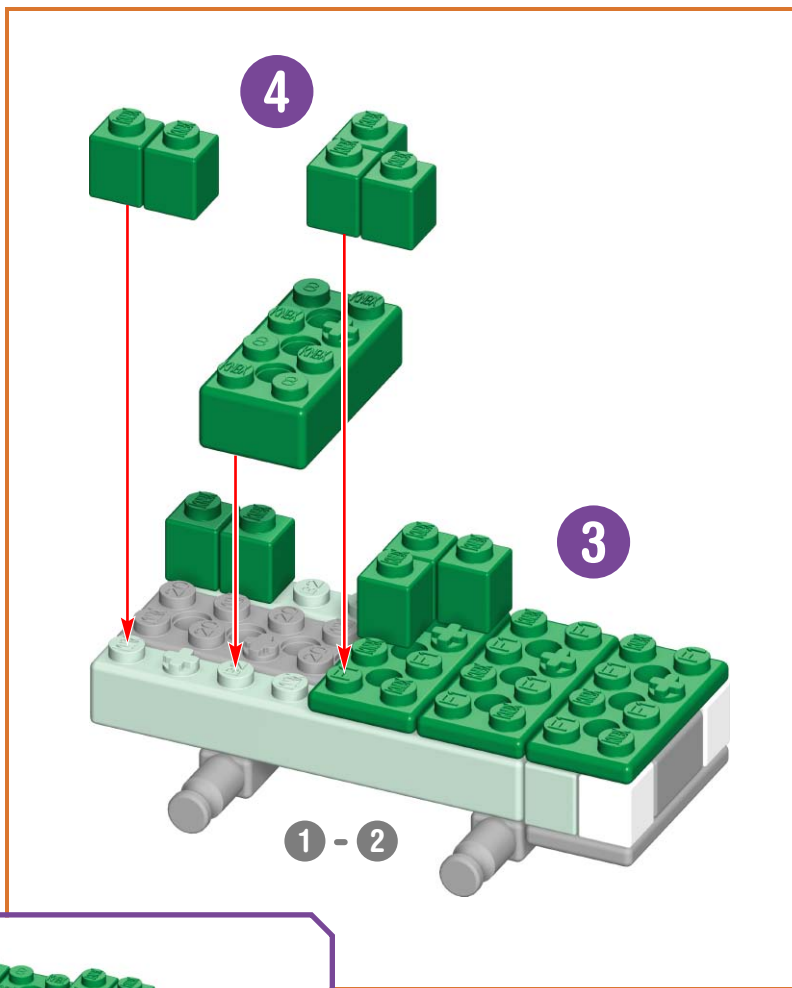




# PICK-UP TRUCK



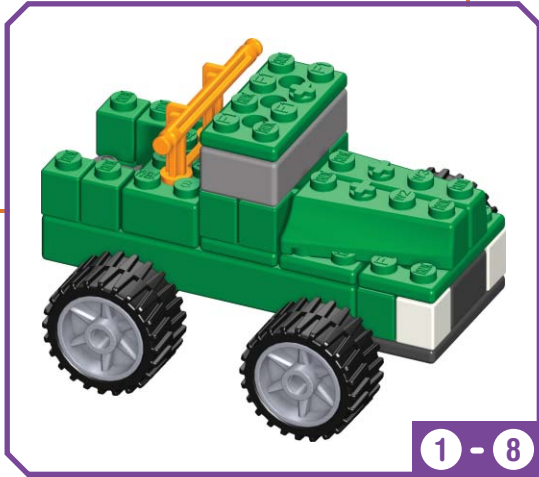
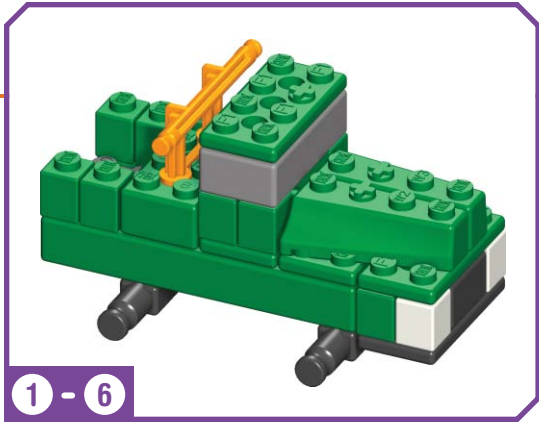
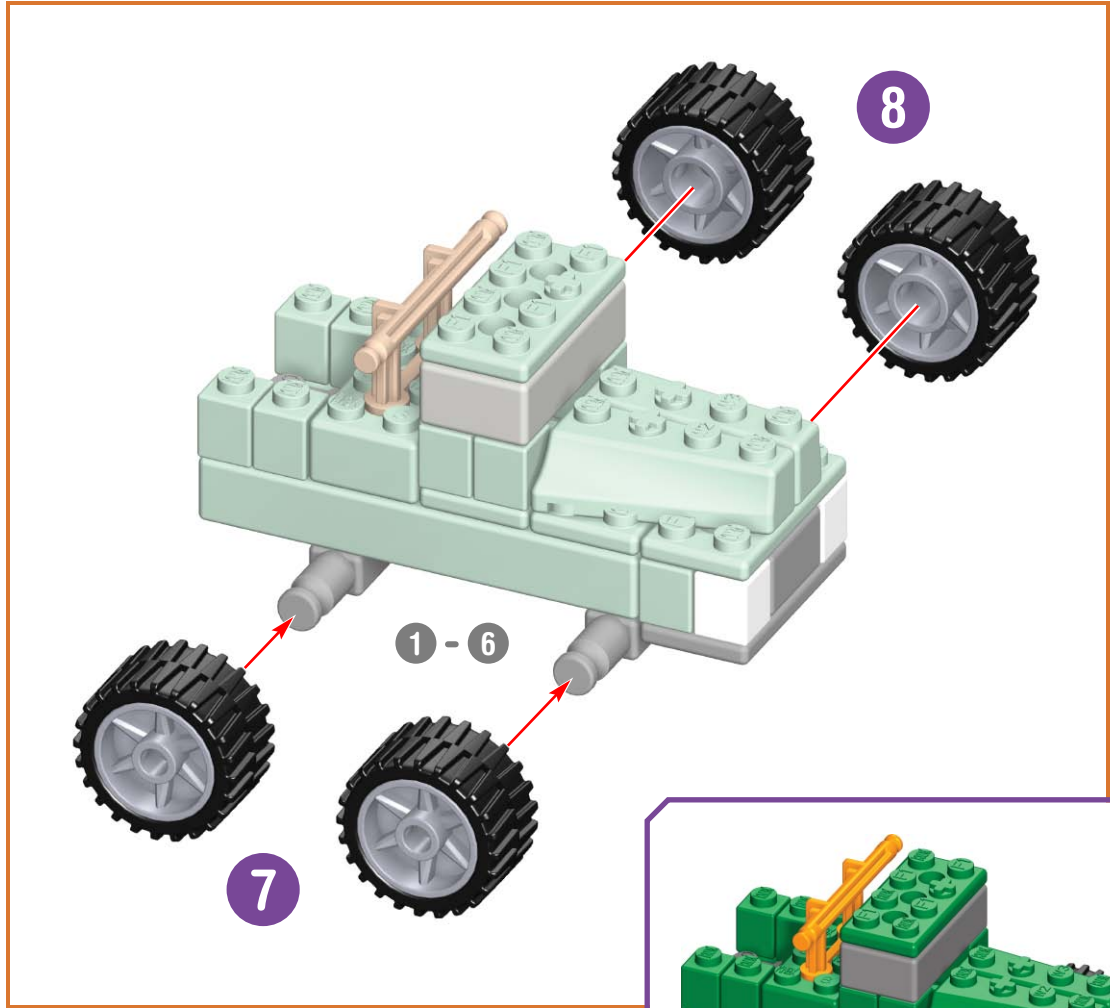
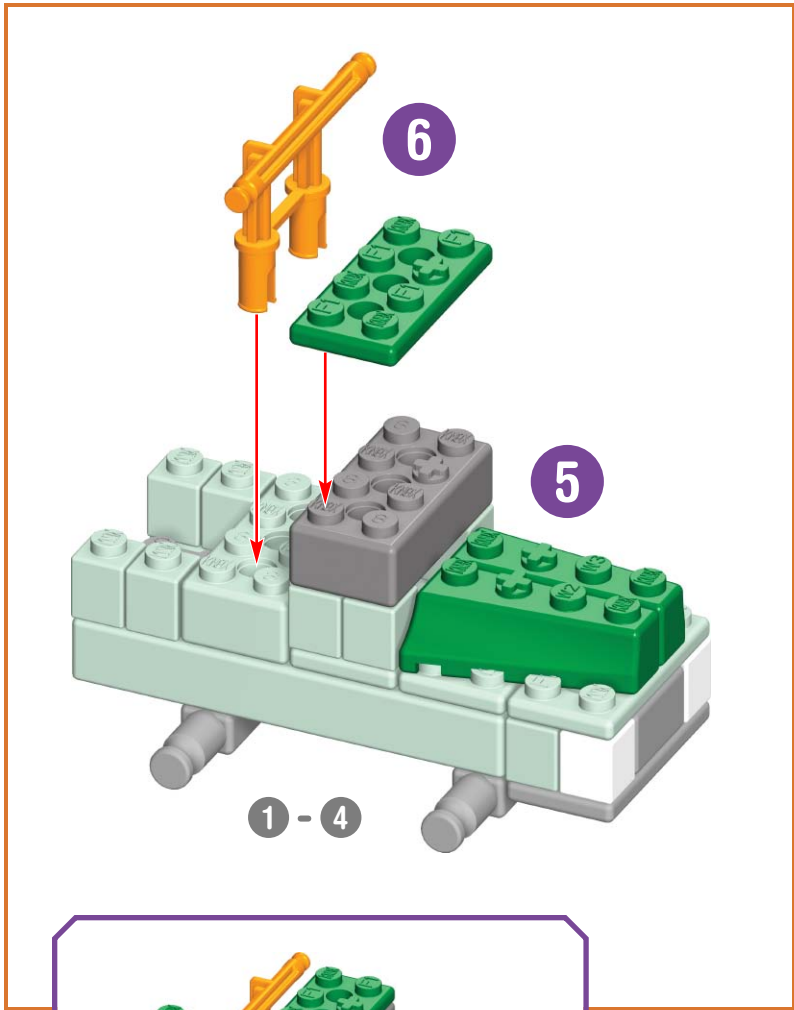
1 - 2



1 - 2



1 - 4



1 - 6

7

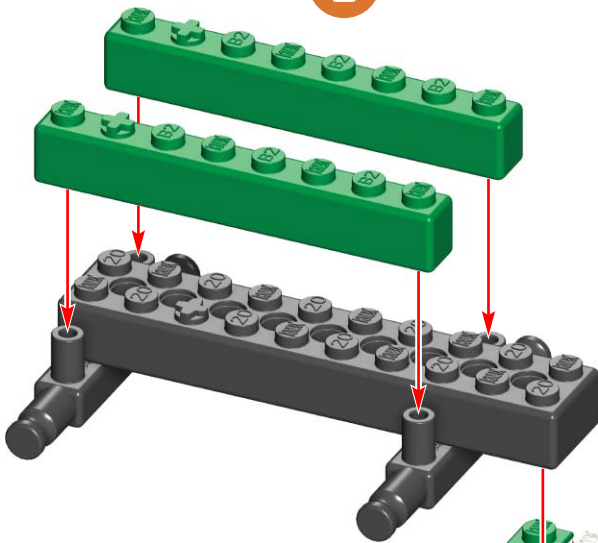
1 - 8



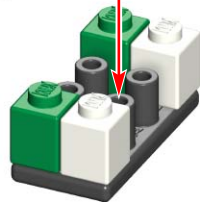
# TOW TRUCK



2



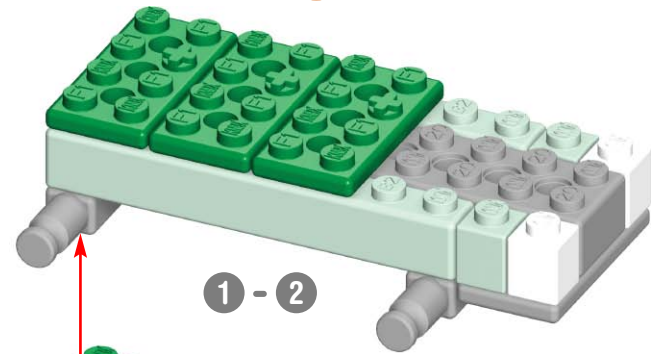
1



1 - 2

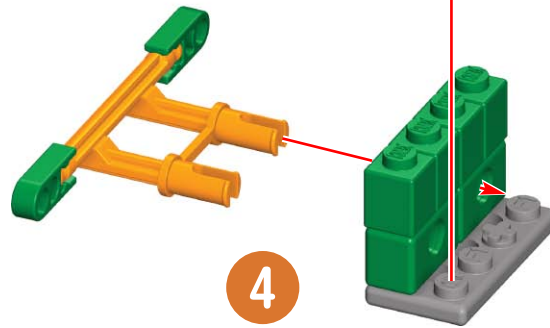


3



1 - 2

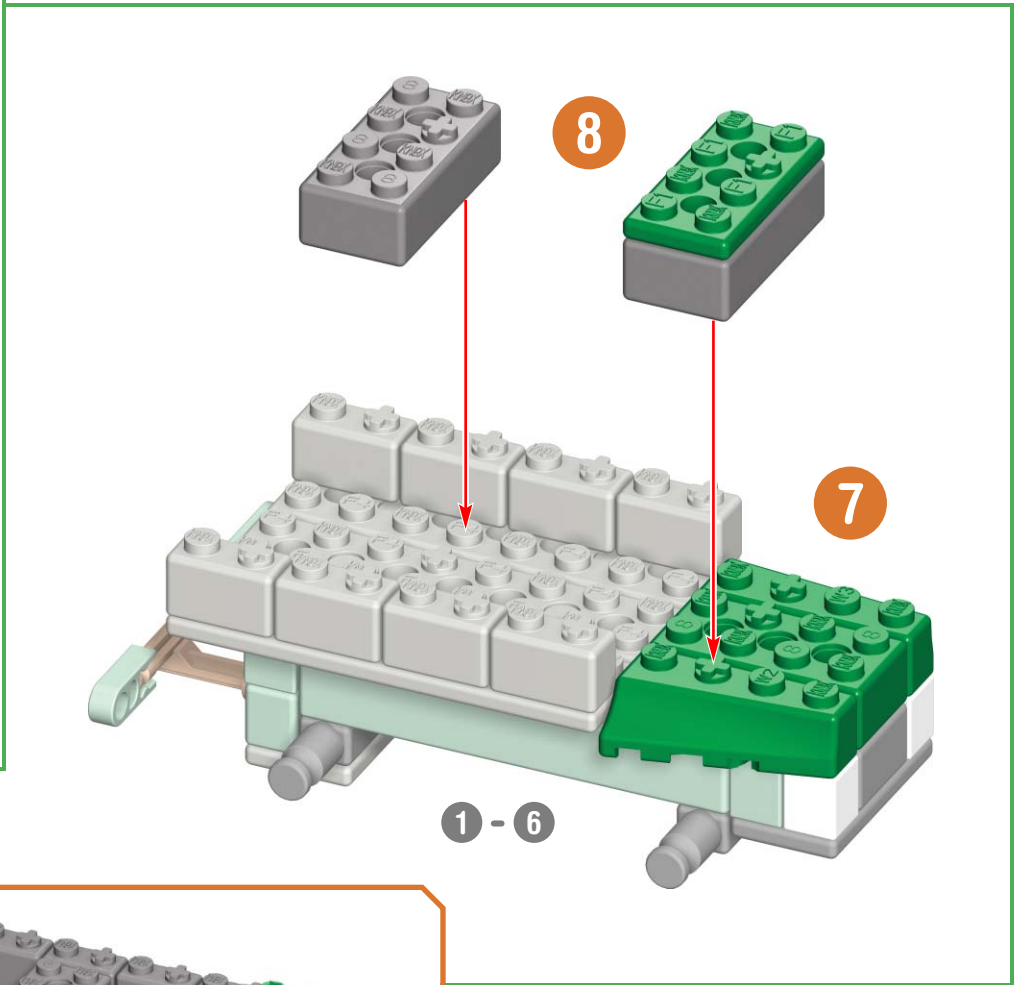
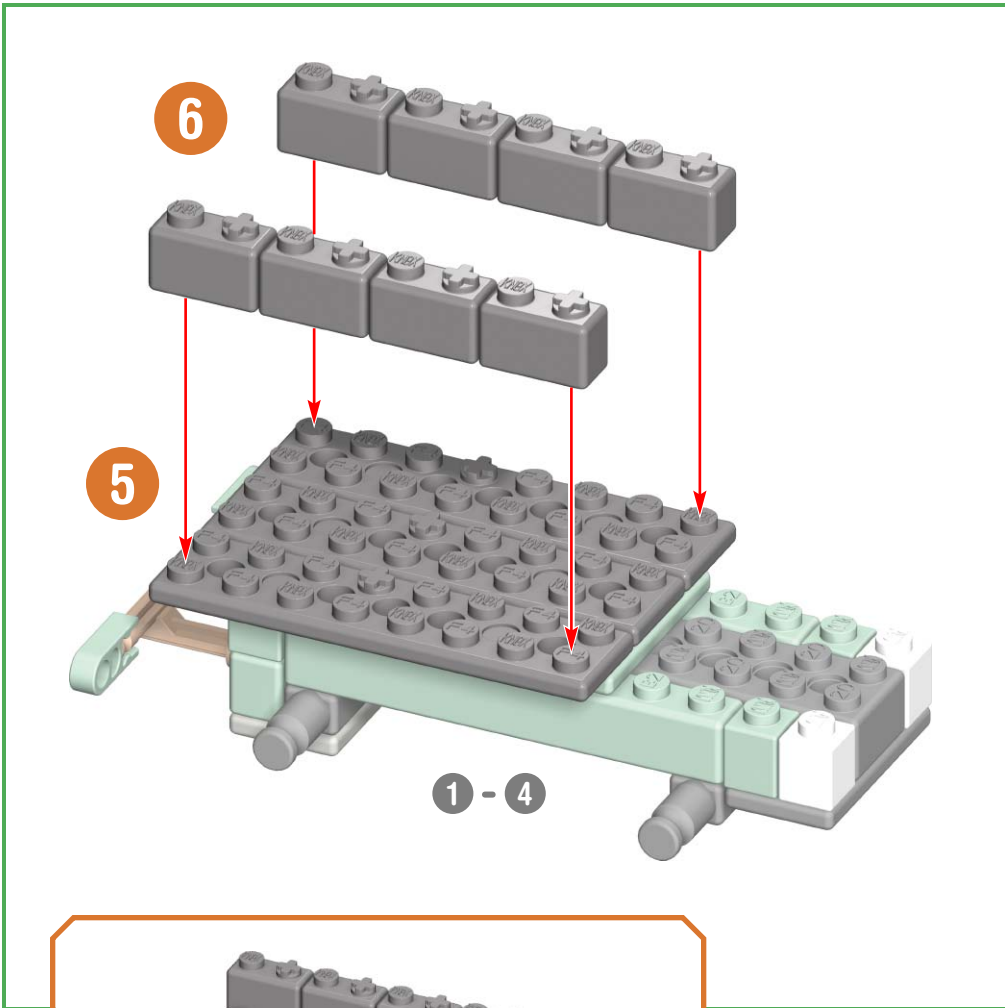
4

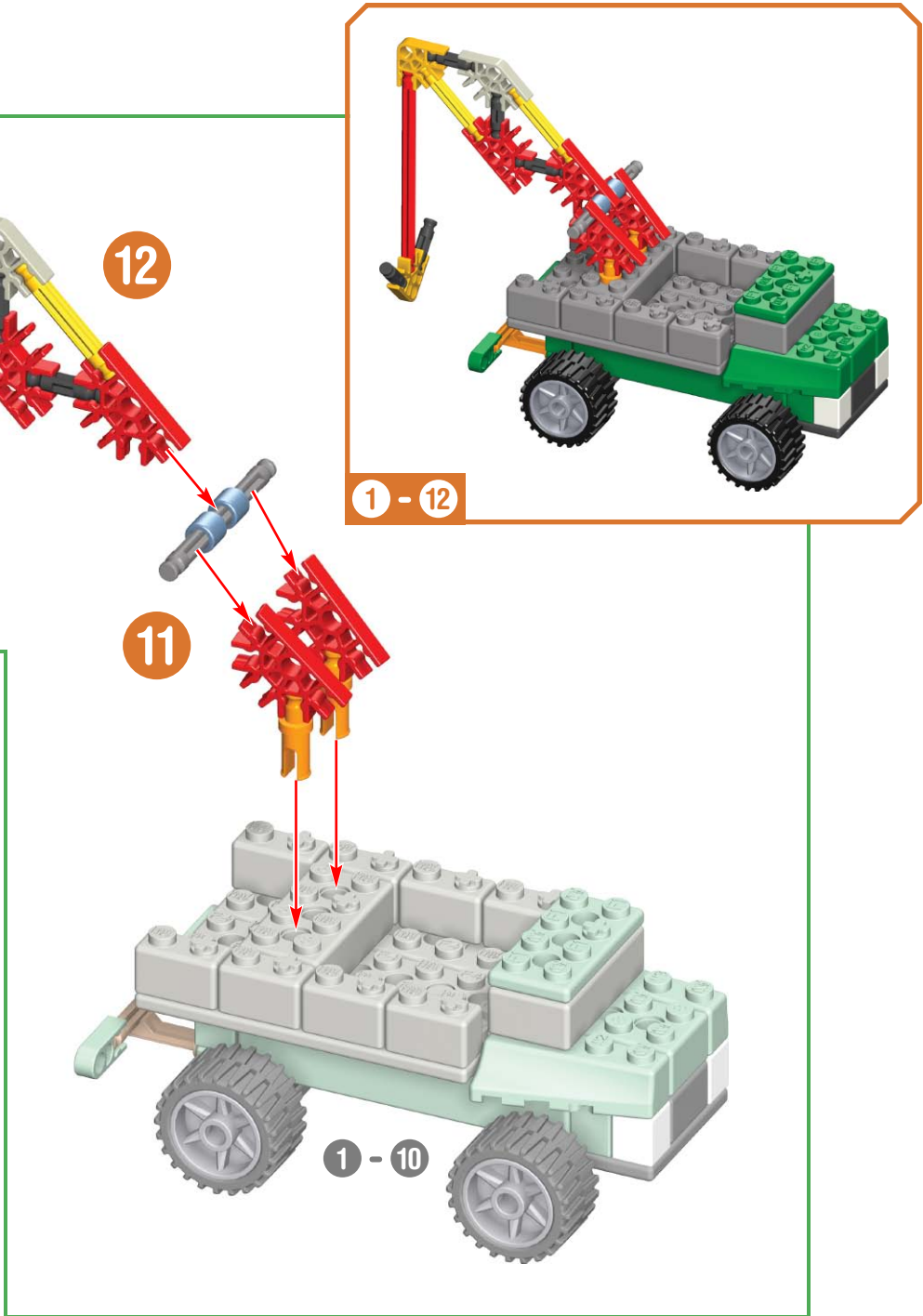
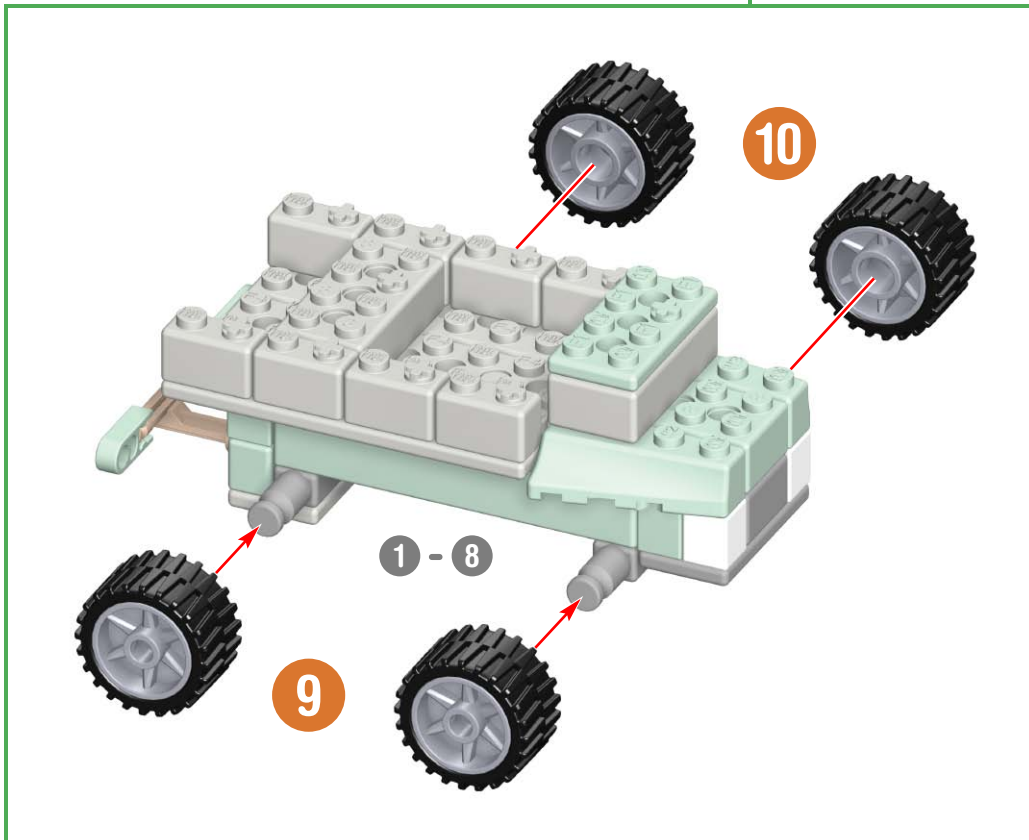


1 - 4









# TRUCK CAB

